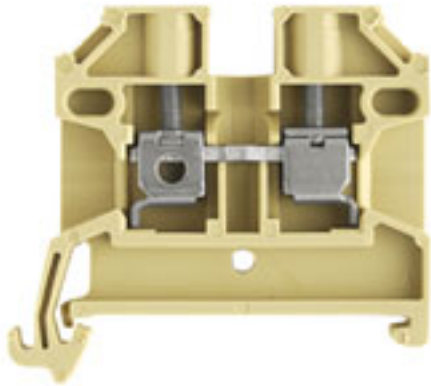


**SAK Series**  
**SAK 2.5/35****Weidmüller Interface GmbH & Co. KG**  
Klingenbergstraße 16  
D-32758 Detmold  
Germany  
Fon: +49 5231 1429-0  
Fax: +49 5231 14292083  
www.weidmueller.com**Klippon® Connect with clamping yoke Technology**

The high reliability and variety of designs of the terminal blocks with clamping yoke connections make planning easier and optimises operational safety. Klippon® Connect provides a proven response to a range of different requirements.

**General ordering data**

Type	SAK 2.5/35
Order No.	<a href="#">0380460000</a>
Version	SAK Series, Feed-through terminal, Rated cross-section: 2.5 mm <sup>2</sup> , Screw connection, Beige, Direct mounting
GTIN (EAN)	4008190042363
Qty.	100 pc(s).

**SAK Series  
SAK 2.5/35**

**Weidmüller Interface GmbH & Co. KG**  
 Klingenbergstraße 16  
 D-32758 Detmold  
 Germany  
 Fon: +49 5231 1429-0  
 Fax: +49 5231 14292083  
 www.weidmueller.com

**Technical data**
**Dimensions and weights**

Width	6.1 mm	Width (inches)	0.24 inch
Height	44.5 mm	Height (inches)	1.752 inch
Depth	40 mm	Depth (inches)	1.575 inch
Net weight	6.33 g		

**Temperatures**

Continuous operating temp., min.	-50 °C	Continuous operating temp., max.	100 °C
----------------------------------	--------	----------------------------------	--------

**Material data**

Material	PA 66	Colour	beige / yellow
UL 94 flammability rating	V-2		

**Rating data IECEx/ATEX**

Certificate No. (ATEX)	KEMA97ATEX1798U	ATEX certificate	IECEXKEM06.0014U
ATEX certificate	KEMA97ATEX1798U_e.pdf	Certificate No. (IECEX)	IECEXKEM06.0014U
IEC Ex certificate	IECEXKEM06.0014U_e.pdf	Max. voltage (ATEX)	550 V
Current (ATEX)	21 A	Wire cross section max. (ATEX)	2.5 mm <sup>2</sup>
Max. voltage (IECEX)	550 V	Current (IECEX)	21 A
Wire cross section max. (IECEX)	2.5 mm <sup>2</sup>	Voltage, cross-connection	CrossConnectionGuide.pdf
Operating temperature range	For operating temperature range see EC Design Test Certificate / IEC Ex-Certificate of Conformity	Marking EN 60079-7	
Ex 2014/34/EU label	II 2 G D		Ex e II

**System specifications**

Version	Screw connection, for screwable cross-connection, One end without connector	End cover plate required	Yes
Number of potentials	1	Number of levels	1
No. of clamping points per level	2	Number of potentials per tier	1
Levels cross-connected internally	No	PE connection	No
Mounting rail	TS 35	N-function	No
PE function	No	PEN function	No

**Additional technical data**

Explosion-tested version	Yes	Installation advice	Direct mounting
Number of similar terminals	1	Open sides	right
Type of mounting	Snap-on		

**CSA rating data**

Certificate No. (CSA)	12400-129	Current size C (CSA)	25 A
Voltage size C (CSA)	600 V	Wire cross section max. (CSA)	10 AWG
Wire cross section min. (CSA)	26 AWG		

**SAK Series**  
**SAK 2.5/35**

**Weidmüller Interface GmbH & Co. KG**  
 Klingenbergstraße 16  
 D-32758 Detmold  
 Germany  
 Fon: +49 5231 1429-0  
 Fax: +49 5231 14292083  
 www.weidmueller.com

**Technical data****Conductors for clamping (additional connection)**

Conductor cross-section, flexible plus plastic collar DIN 46228/1, further connection, max. 4 mm<sup>2</sup>

**Conductors for clamping (rated connection)**

Blade size	0.6 x 3.5 mm	Clamping range, rated connection, max.	6 mm <sup>2</sup>
Clamping range, rated connection, min.	0.13 mm <sup>2</sup>	Clamping screw	M 2.5
Connection direction	on side	Cross-section for connected conductor, finely stranded with wire-end ferrules and plastic collars DIN 46228/4, rated connection, min.	0.5 mm <sup>2</sup>
Gauge to IEC 60947-1	A3	Number of connections	2
Stripping length	10 mm	Tightening torque, max.	0.6 Nm
Tightening torque, min.	0.4 Nm	Torque level with DMS electric screwdriver	1
Twin wire-end ferrules, max.	1.5 mm <sup>2</sup>	Twin wire-end ferrules, min.	0.5 mm <sup>2</sup>
Type of connection	Screw connection	Wire connection cross section AWG, min.	AWG 26
Wire connection cross section, finely stranded with wire-end ferrules DIN 46228/1, rated connection, max.	4 mm <sup>2</sup>	Wire connection cross section, finely stranded with wire-end ferrules DIN 46228/1, rated connection, min.	0.5 mm <sup>2</sup>
Wire connection cross section, finely stranded, max.	4 mm <sup>2</sup>	Wire connection cross section, solid core max. rated connection	6 mm <sup>2</sup>
Wire connection cross section, solid core, min. rated connection	0.5 mm <sup>2</sup>	Wire connection cross section, stranded, rated connection, max.	4 mm <sup>2</sup>
Wire connection cross section, stranded, rated connection, min.	0.5 mm <sup>2</sup>	Wire connection cross-section, finely stranded with wire-end ferrules and plastic collars DIN 46228/4, rated connection, max.	4 mm <sup>2</sup>
Wire connection cross-section, finely stranded, min.	0.5 mm <sup>2</sup>		

**Rating data**

Rated cross-section	2.5 mm <sup>2</sup>	Rated voltage	800 V
Rated current	24 A	Current at maximum wires	41 A
Standards	IEC 60947-7-1	Volume resistance according to IEC 60947-7-x	1.33 mΩ
Rated impulse withstand voltage	8 kV	Pollution severity	3

**UL rating data**

Certificate No. (UR)	E60693	Conductor size Factory wiring max. (UR)	12 AWG
Conductor size Factory wiring min. (UR)	22 AWG	Conductor size Field wiring max. (UR)	12 AWG
Conductor size Field wiring min. (UR)	22 AWG	Current size C (UR)	20 A
Voltage size C (UR)	600 V		

**Classifications**

ETIM 3.0	EC000897	ETIM 4.0	EC000897
ETIM 5.0	EC000897	ETIM 6.0	EC000897
UNSPSC	30-21-18-11	eClass 5.1	27-14-11-20
eClass 6.2	27-14-11-20	eClass 7.1	27-14-11-20
eClass 8.1	27-14-11-20	eClass 9.0	27-14-11-20
eClass 9.1	27-14-11-20		

**Data sheet**

**SAK Series  
SAK 2.5/35**

**Weidmüller Interface GmbH & Co. KG**  
 Klingenbergstraße 16  
 D-32758 Detmold  
 Germany  
 Fon: +49 5231 1429-0  
 Fax: +49 5231 14292083  
 www.weidmueller.com

**Technical data**

**Product information**

Descriptive text technical data      With twin wire-end ferrules ZH 0.5 to ZH 1.5, the rated voltage is 690 V.

**Approvals**

Approvals



ROHS      Conform

**Downloads**

Approval/Certificate/Document of Conformity	<a href="#">CFAT_SAK_2.5.pdf</a> <a href="#">DE_PT1301_20160418_366_ISSUE01.pdf</a>
Engineering Data	<a href="#">EPLAN_WSCAD</a>
Engineering Data	<a href="#">22364_SAK_2.5-35_DXF.dxf</a>

**Safety note**

Safety notice      [Safety Information](#)