

# CAB PC 504020 G



Sample image

**Order symbol:** CAB PC 504020 G

**Product nbr:** 8113360

UL Code: 8143360

UL Name: UL CAB PC 504020 G

**Description:** Opaque door

**Remarks:** Latches on the long side

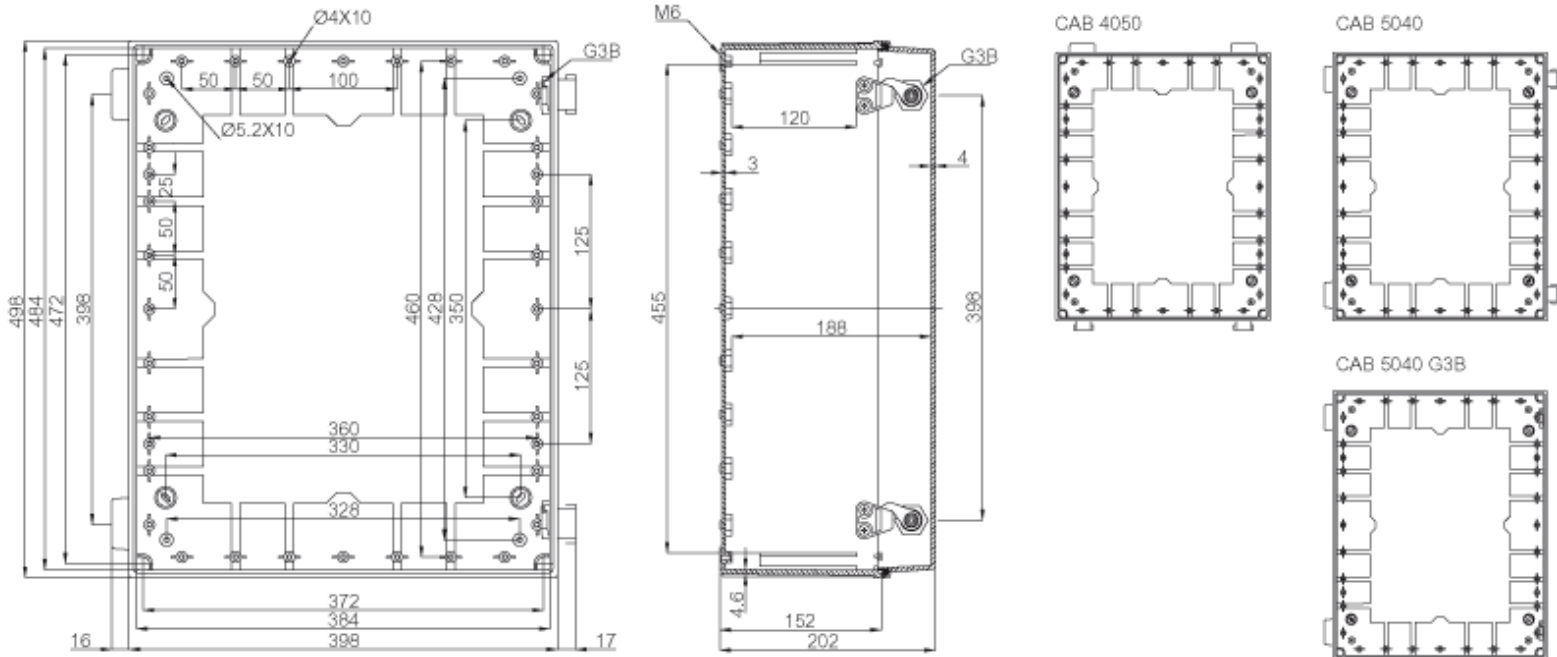
**EAN:** 6418074020321

**El. number:**

- Finland: 3424120
- Denmark: 8212020265
- Sweden: 2539977

**Including:** Cabinet base. door with PUR gasket. latches. screws for mounting plate/ DIN-rail and corner plugs.

CAB 500x400x200



Dimensions:	Height	Width	Depth
mm:	500	400	200
inch:	19.69	15.75	7.87

Rating:	
Ingress protection (EN 60529):	IP65;
Impact Resistance (EN 62262):	IK08;
Electrical insulation:	Totally insulated
Halogen free (DIN/VDE 0472, Part 815):	1

**Materials:**

Material:	Polycarbonate
Base colour:	RAL 7035 -light grey
Cover colour:	RAL 7035 -light grey
Gasket material:	Polyurethane

UV resistance:	UL 508
Flammability Rating:	UL 746C 5"
Glow Wire Test (IEC 695-2-1) °C:	960 °C
NEMA Class	

**Temperatures:**

Temperature °C (short term)::	-40 ... 120
Temperature °C (continuous):	-40 ... 80
Temperature °F (short term):	-40 ... 250
Temperature °F (continuous):	-40 ... 175

**Certificates:**

Certificate FI 40854