

PC 200/100 HG



Sample image

Order symbol: PC 200/100 HG

Product nbr: 6011327

UL Code: 6411327

UL Name: UL PC 200/100HG

Description: Enclosure. PC

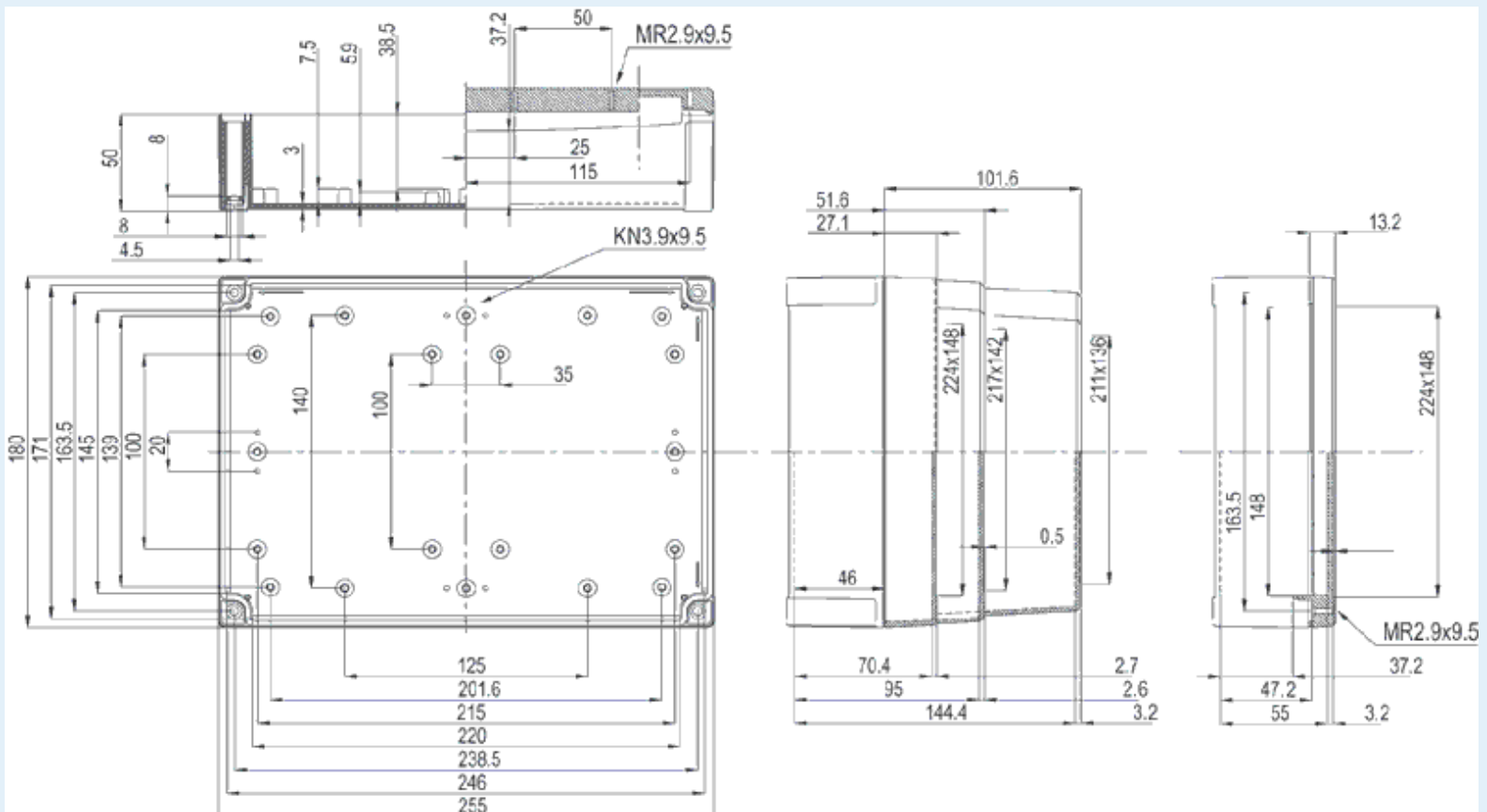
Remarks: Opaque cover

EAN: 6418074022240

El. number:

- Finland: 3420373
- Denmark: 8212022234
- Sweden: 2535572

Including: Base with TPE gasket, screws for mounting plate/DIN-rail and cover with polyamide cover screws.



| Dimensions: | Height | Width | Depth |
|--------------------|---------------|--------------|--------------|
| mm: | 255 | 180 | 100 |
| inch: | 10.04 | 7.09 | 3.94 |

Materials:

| | |
|------------------|----------------------|
| Material: | Polycarbonate |
| Base colour: | RAL 7035 -light grey |
| Cover colour: | RAL 7035 -light grey |
| Gasket material: | Polyurethane |

Temperatures:

| | |
|-------------------------------|-------------|
| Temperature °C (short term):: | -40 ... 120 |
| Temperature °C (continuous): | -40 ... 80 |
| Temperature °F (short term): | -40 ... 250 |
| Temperature °F (continuous): | -40 ... 175 |

Accessories:

| | |
|--------------|-------------------------------------------------------------------|
| MIN 20 | DIN-15 Mounting rail. for enclosures: (225 x 15 x 1) |
| HFP 180 | Front panel hinge series |
| MIN 15 | DIN-15 Mounting rail. for enclosures: (150 x 15 x 1) |
| MIV 200 | Back Panel (Galvanized steel). for enclosures: (223 x 148 x 1) |
| FP A 200/180 | Front panel (Aluminum). for enclosures: (237 x 170 x 1) |
| MIV 15 | DIN-35 Mounting rail. for enclosures: (150 x 35 x 1) |
| FP 22046 | Mounting foot kit (4 pcs) |
| MIV 20 | DIN-35 Mounting rail. for enclosures: (225 x 35 x 1) |

Rating:

| | |
|----------------------------------------|-------------------|
| Ingress protection (EN 60529): | IP66; IP67; |
| Impact Resistance (EN 62262): | IK08; |
| Electrical insulation: | Totally insulated |
| Halogen free (DIN/VDE 0472, Part 815): | 1 |
| UV resistance: | UL 508 |
| Flammability Rating: | UL 746C 5" |
| Glow Wire Test (IEC 695-2-1) °C: | 960 °C |
| NEMA Class | |

Certificates:

Certificate FI 40847