

TA191209



Sample image

Order symbol: TA191209

Product nbr: 5814000

Description: Enclosure. ABS

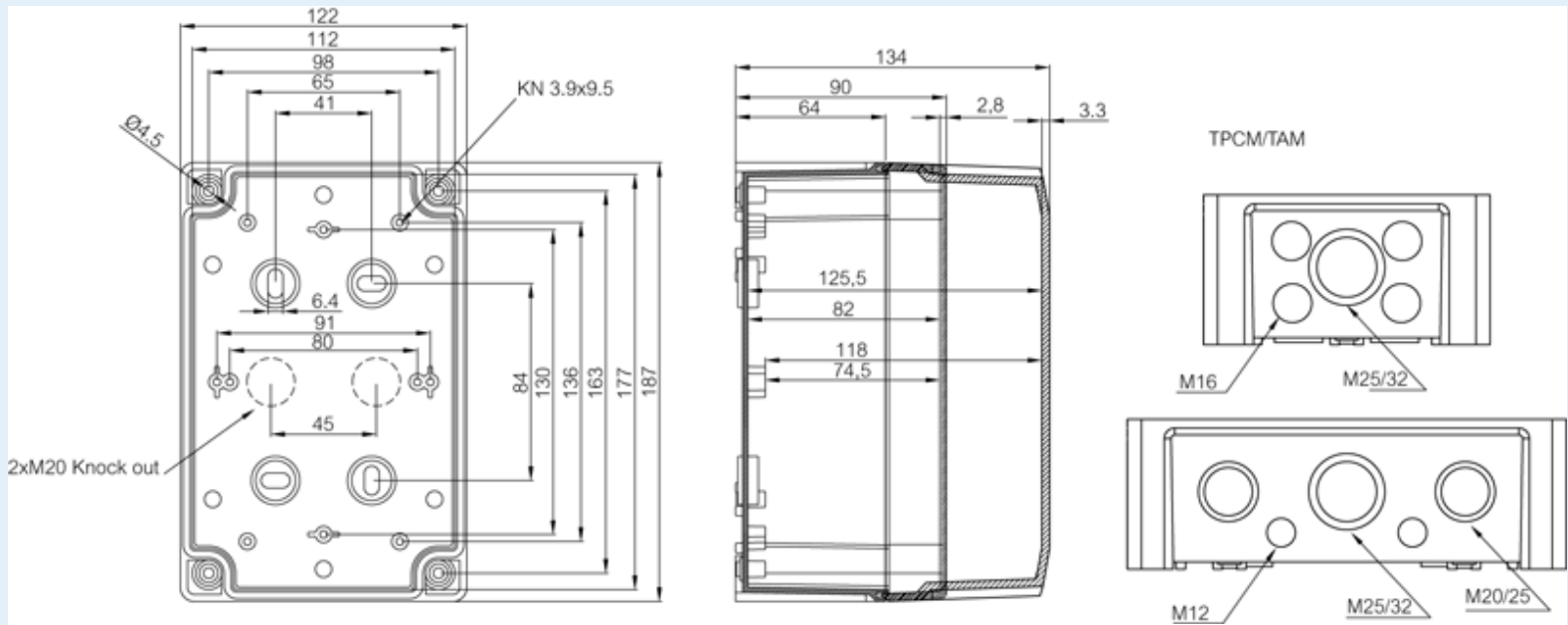
Remarks: Opaque cover

EAN: 6418074060723

El. number:

- Finland: 3435682
- Denmark: 8212035001
- Sweden:

Including: Base with PUR gasket and screws for mounting plate/DIN-rail. cover with polyamide cover screws and plastic hinges.



Dimensions:	Height	Width	Depth
mm:	187	122	90
inch:	7.36	4.8	3.54

Materials:

Material: ABS

Base colour:

Cover colour:

Gasket material:

Accessories:

- MIV 10 DIN-35 Mounting rail. for enclosures: (100 x 35 x 1)
- MP 1912 Mounting plate. for enclosures: (140 x 100 x 0)
- DH-3 DIN-35 Mounting rail. for enclosures: (140 x 35 x 1)
- FP 10674 Mounting foot kit (2 pcs) incl. screws

Rating:

- Ingress protection (EN 60529): IP65;
- Impact Resistance (EN 62262): IK07;
- Electrical insulation: Totally insulated

Temperatures:

Temperature °C (short term)::	-40 ... 80
Temperature °C (continuous):	
Temperature °F (short term):	-40 ... 175
Temperature °F (continuous):	-40 ... 140

Halogen free (DIN/VDE 0472, Part 815):	1
UV resistance:	-
Flammability Rating:	UL 94 HB
Glow Wire Test (IEC 695-2-1) °C:	650 °C
NEMA Class	

Certificates:

Certificate FI 40343