

TA111107



Sample image

Order symbol: TA111107

Product nbr: 5814039

Description: Enclosure. ABS

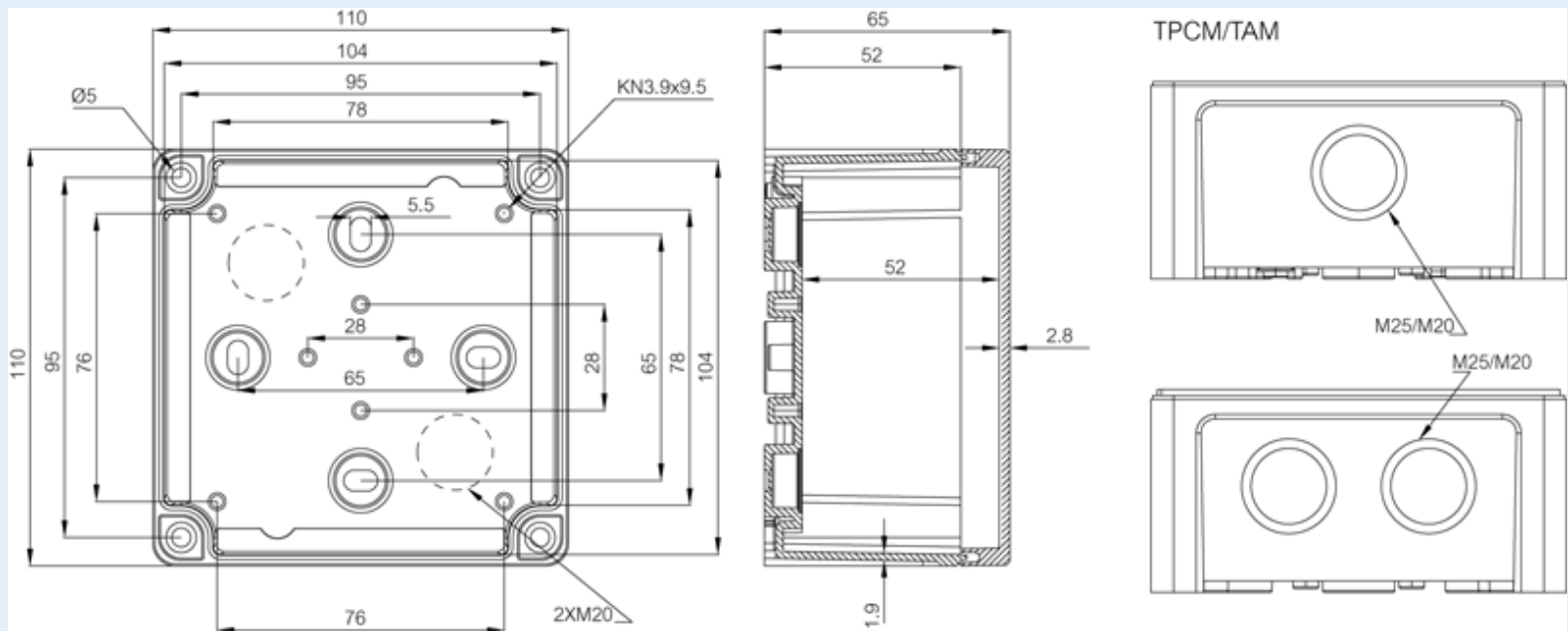
Remarks: Opaque cover

EAN: 6418074011473

El. number:

- Finland:
- Denmark: 8212045224
- Sweden: 5814039

Including: Base with PUR gasket and screws for mounting plate/DIN-rail. cover with polyamide cover screws and plastic hinges.



| Dimensions: | Height | Width | Depth |
|--------------------|---------------|--------------|--------------|
| mm: | 110 | 110 | 65 |
| inch: | 4.33 | 4.33 | 2.56 |

Accessories:

FP 10674 Mounting foot kit (2 pcs) incl. screws

Materials:

Material: ABS
Base colour:
Cover colour:
Gasket material:

Rating:

| | |
|----------------------------------------|-------------------|
| Ingress protection (EN 60529): | IP65; |
| Impact Resistance (EN 62262): | IK07; |
| Electrical insulation: | Totally insulated |
| Halogen free (DIN/VDE 0472, Part 815): | 1 |
| UV resistance: | - |
| Flammability Rating: | UL 94 HB |

Temperatures:

| | |
|-------------------------------|-------------|
| Temperature °C (short term):: | -40 ... 80 |
| Temperature °C (continuous): | |
| Temperature °F (short term): | -40 ... 175 |
| Temperature °F (continuous): | -40 ... 140 |

Glow Wire Test (IEC 695-2-1) °C: 650 °C
NEMA Class

Certificates:

Certificate FI 40343