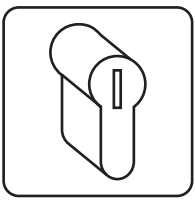


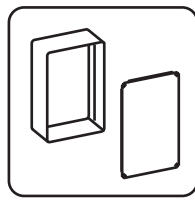


Operating instructions
Notice de service
Gebrauchsanweisung
Istruzioni di montaggio
Instrucciones de montaje
Instruções de montagem
Gebruiksaanwijzing

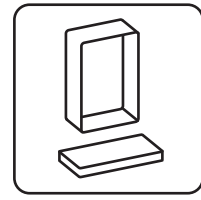




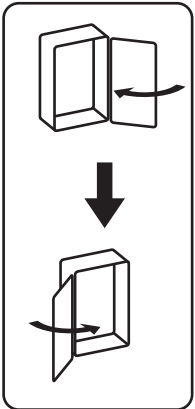
p.1



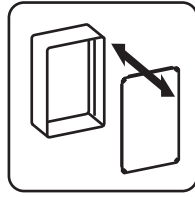
p.6



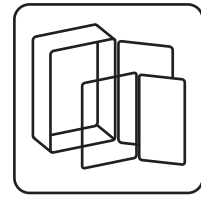
p.13



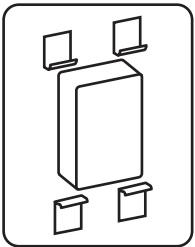
p.1



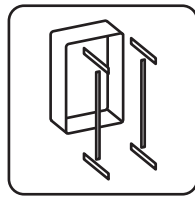
p.7



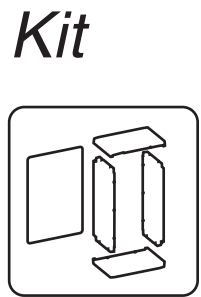
p.14



p.3

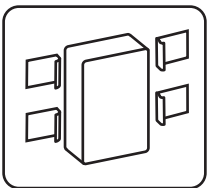


p.8

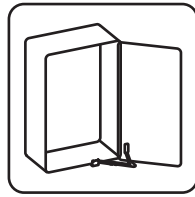


Kit

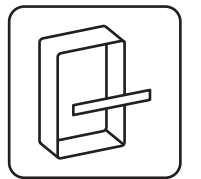
p.19



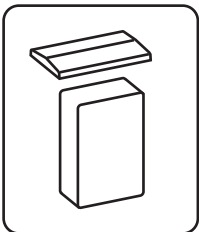
p.3



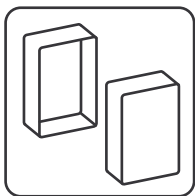
p.9



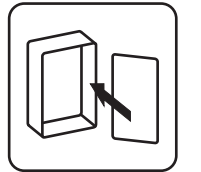
p.20



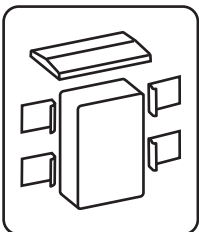
p.4



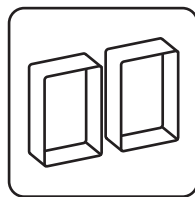
p.10



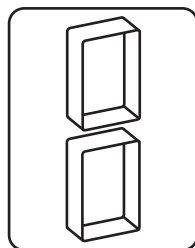
p.20



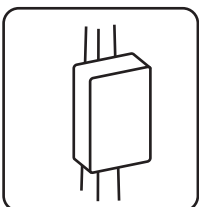
p.4



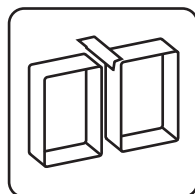
p.11



p.11



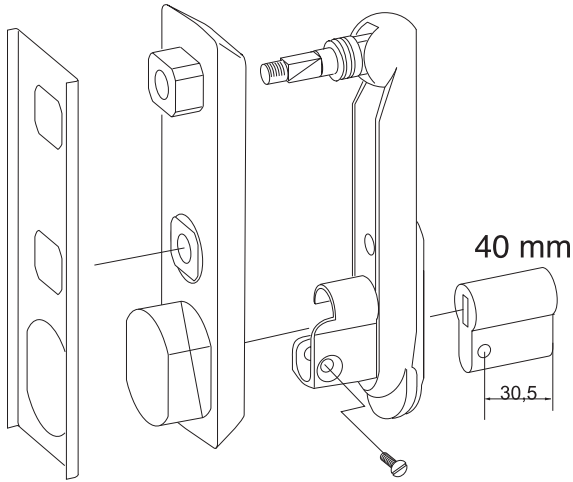
p.5



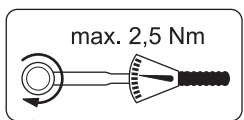
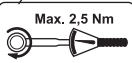
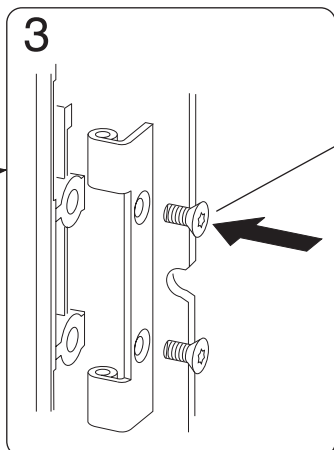
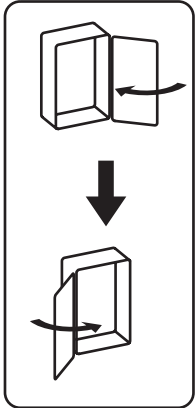
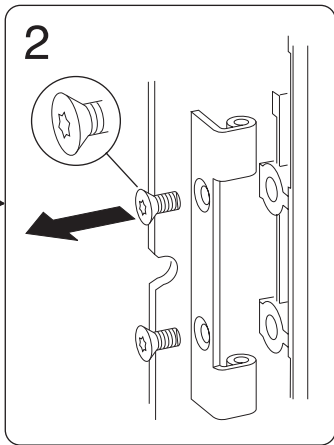
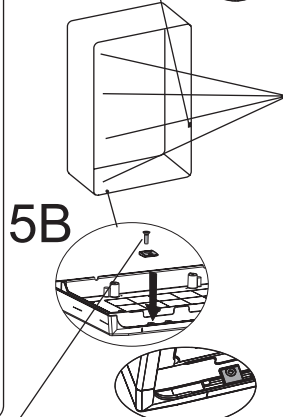
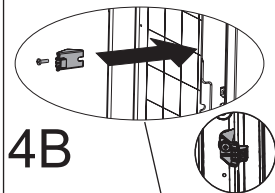
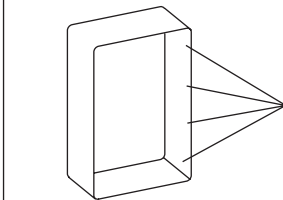
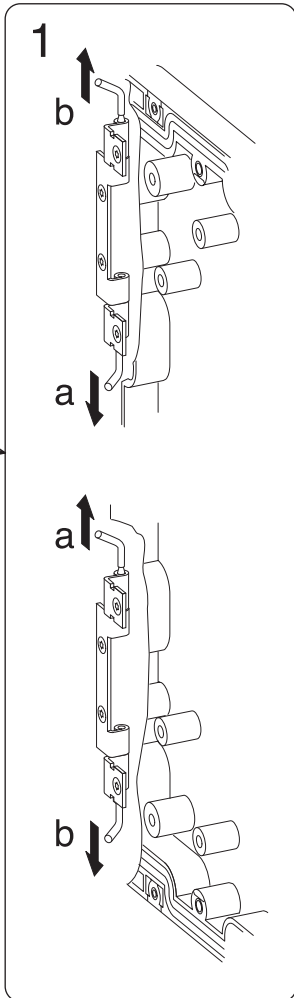
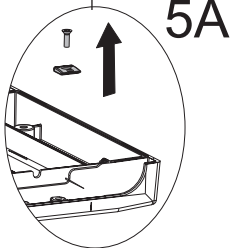
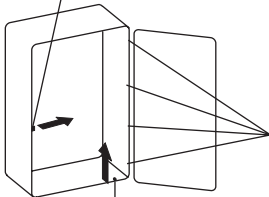
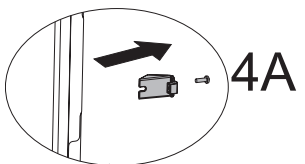
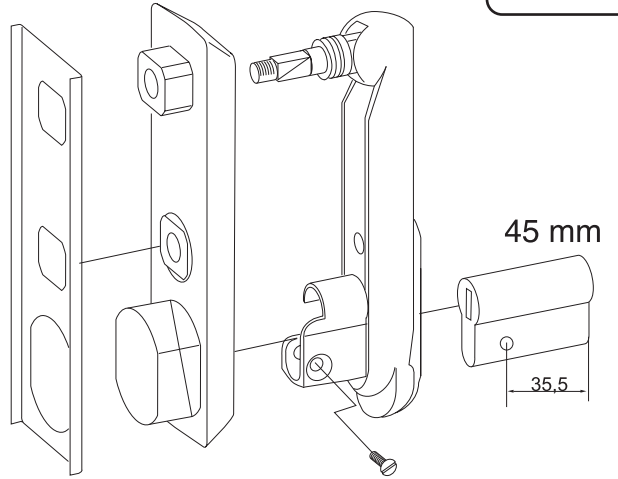
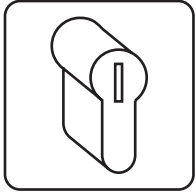
p.12

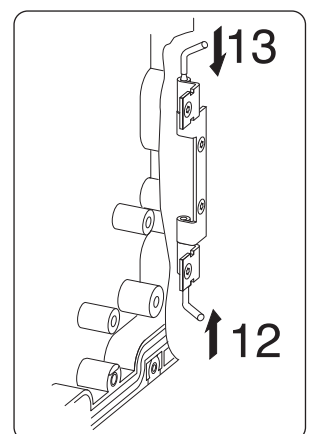
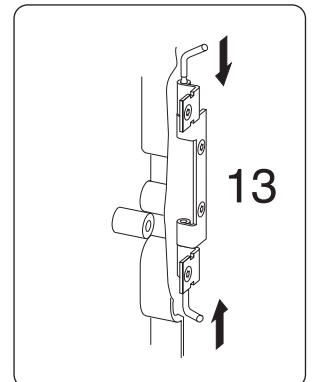
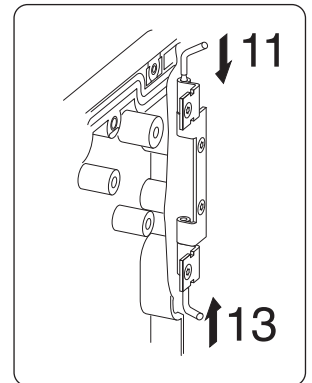
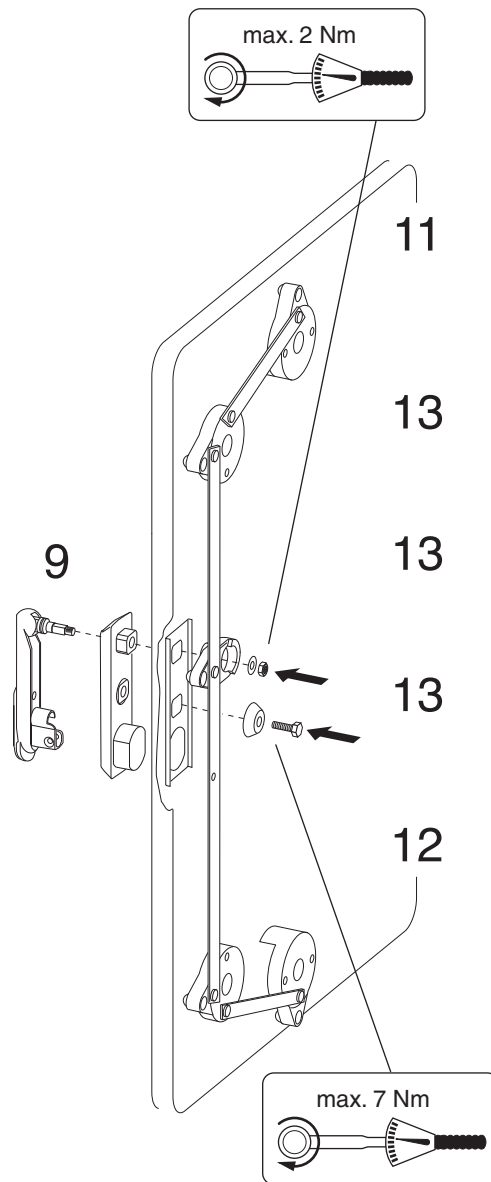
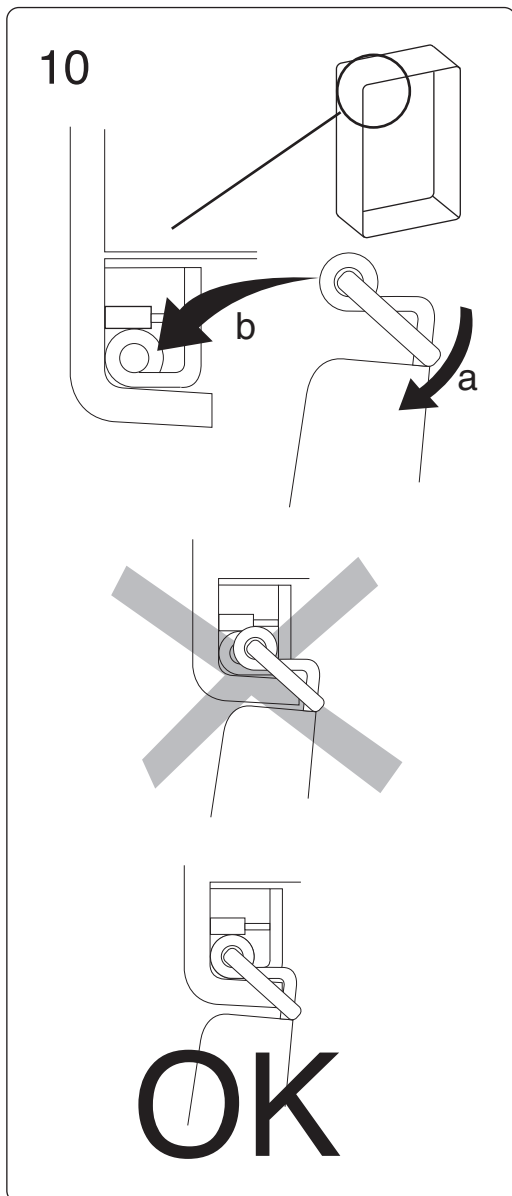
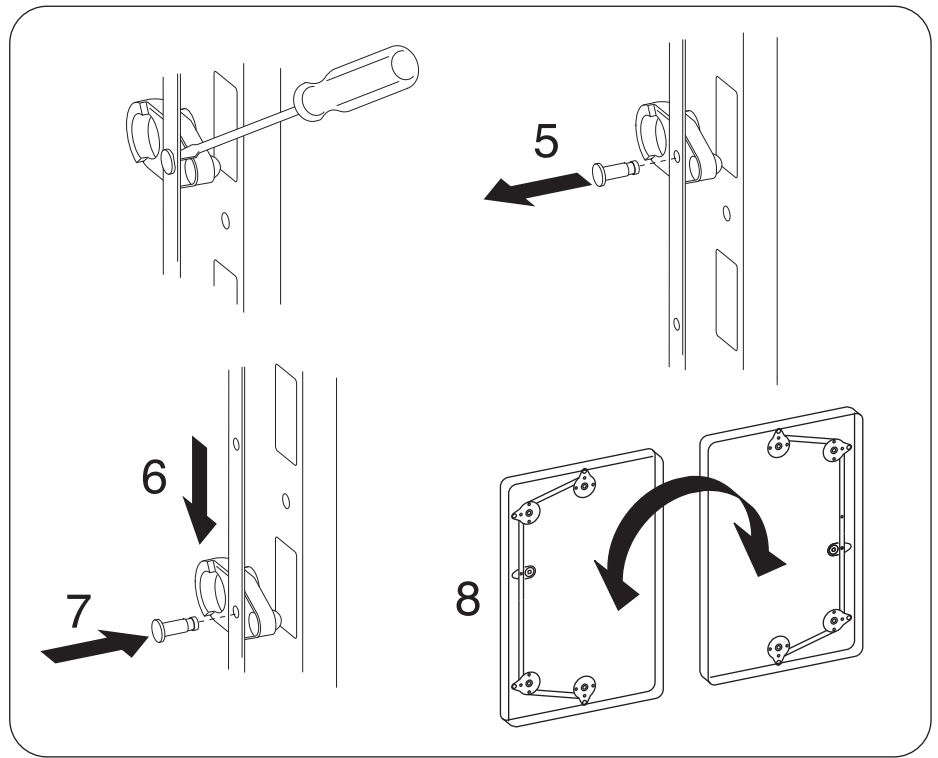
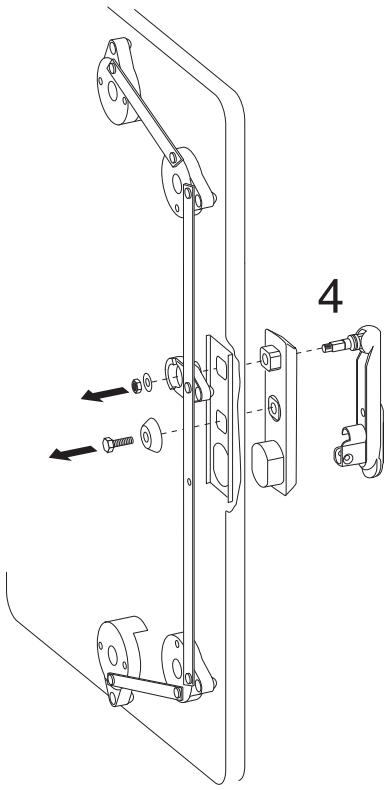
WARNING: When mounting on or over a combustible surface, a floor plate of at least 1.43 mm galvanized or 1.6 mm uncoated steel extended at least 150 mm beyond the equipment on all sides must be installed.

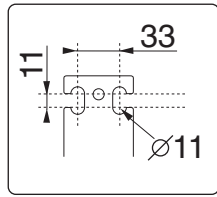
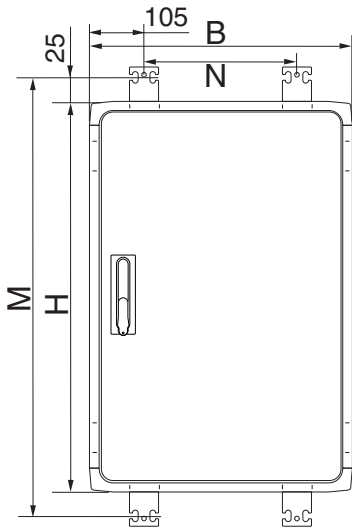
WARNING: In order to maintain the environmental integrity of the enclosure, devices with the same environmental ratings shall be used to close openings in customized enclosure.



OPTION

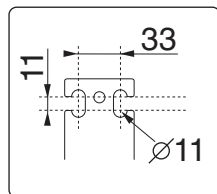
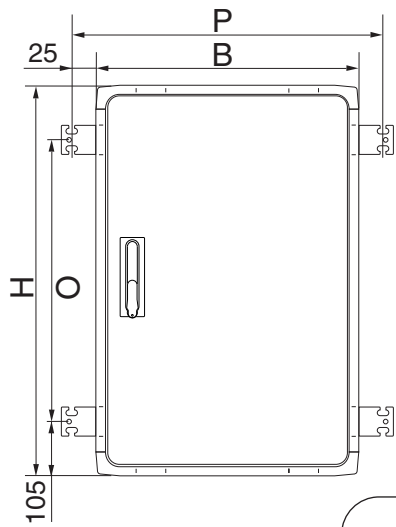
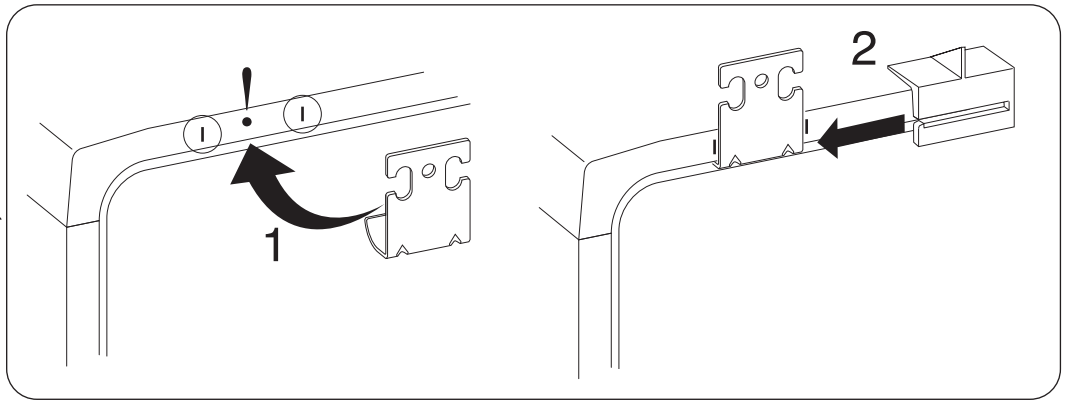
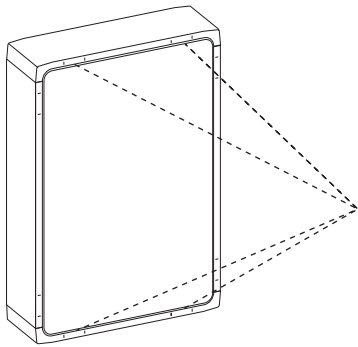
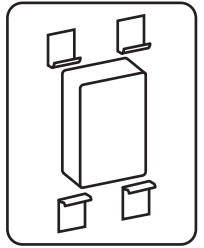






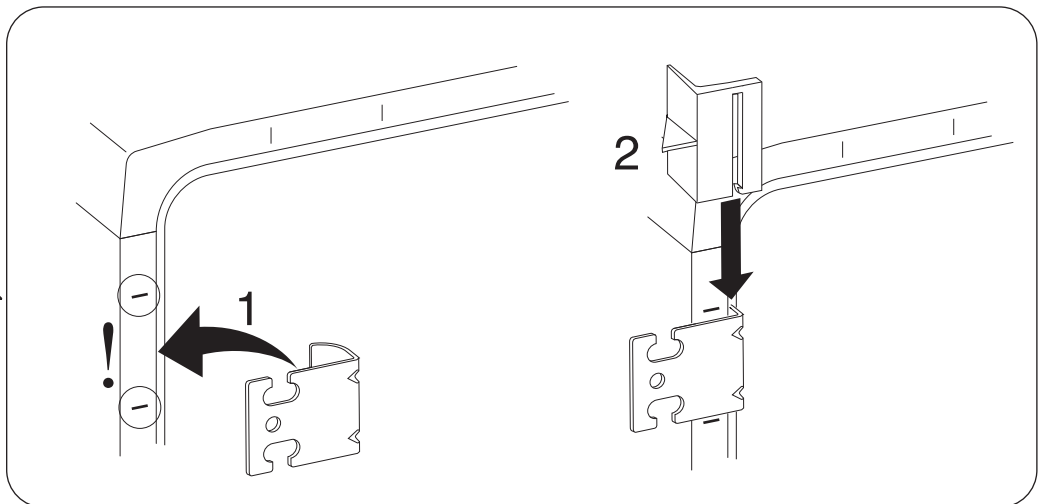
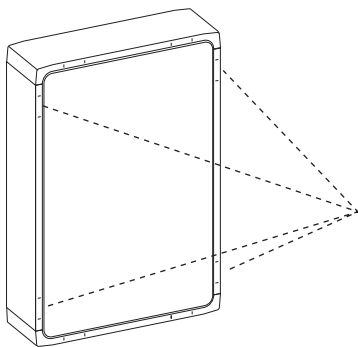
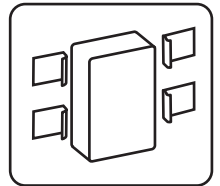
B	N
500	290
750	540
1000	790
1250	1040

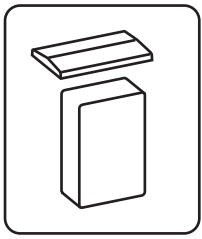
H	M
500	550
750	800
1000	1050
1250	1300



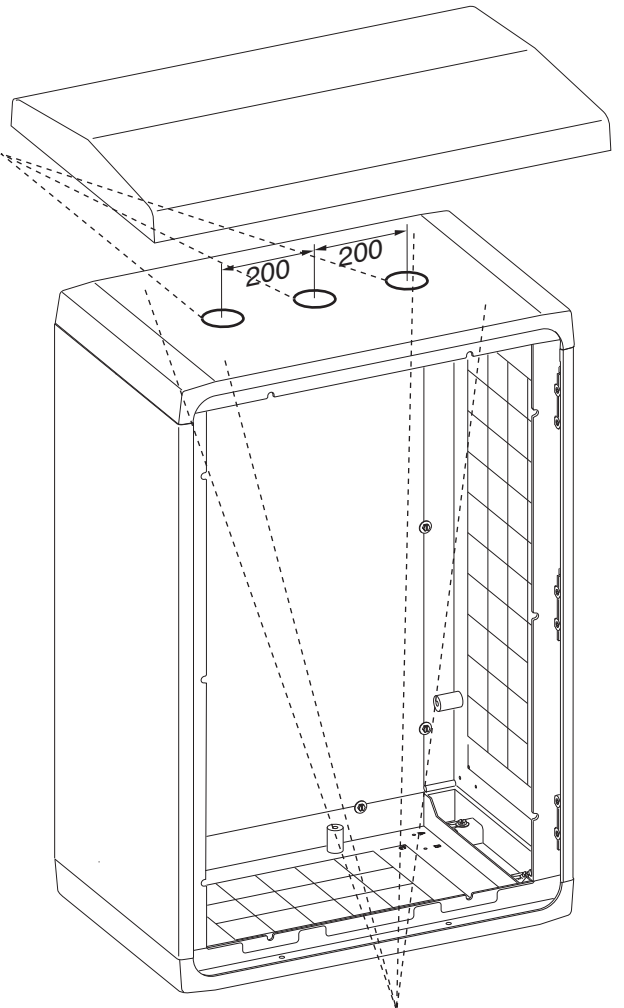
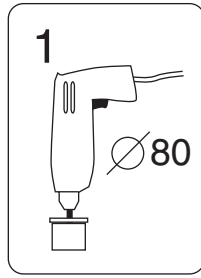
H	O
500	290
750	540
1000	790
1250	1040

B	P
500	550
750	800
1000	1050
1250	1300



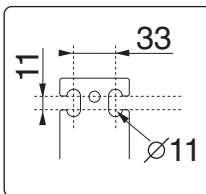
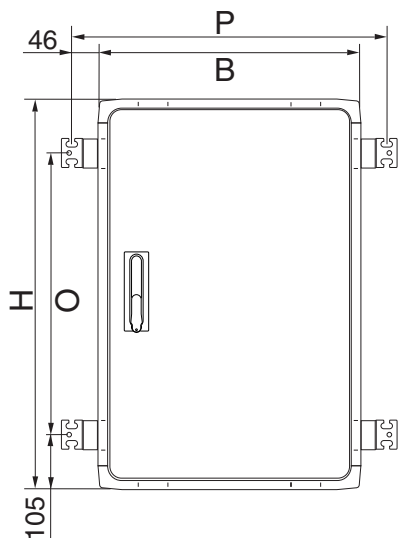
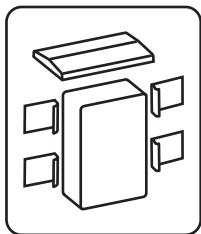
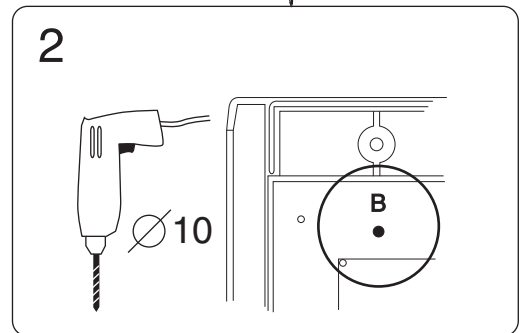


OPTION



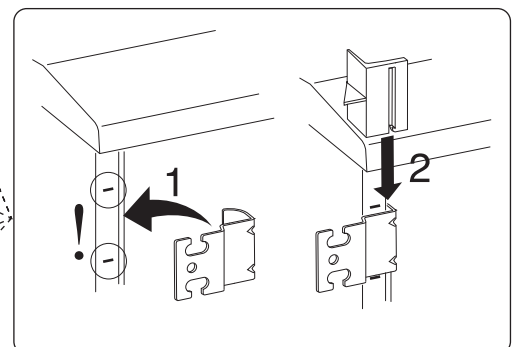
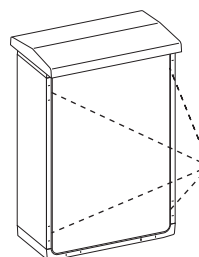
3 **≤1000** **500/750/1000**
max. 10 Nm

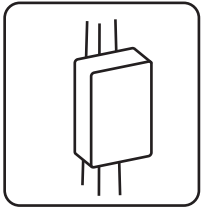
>1000



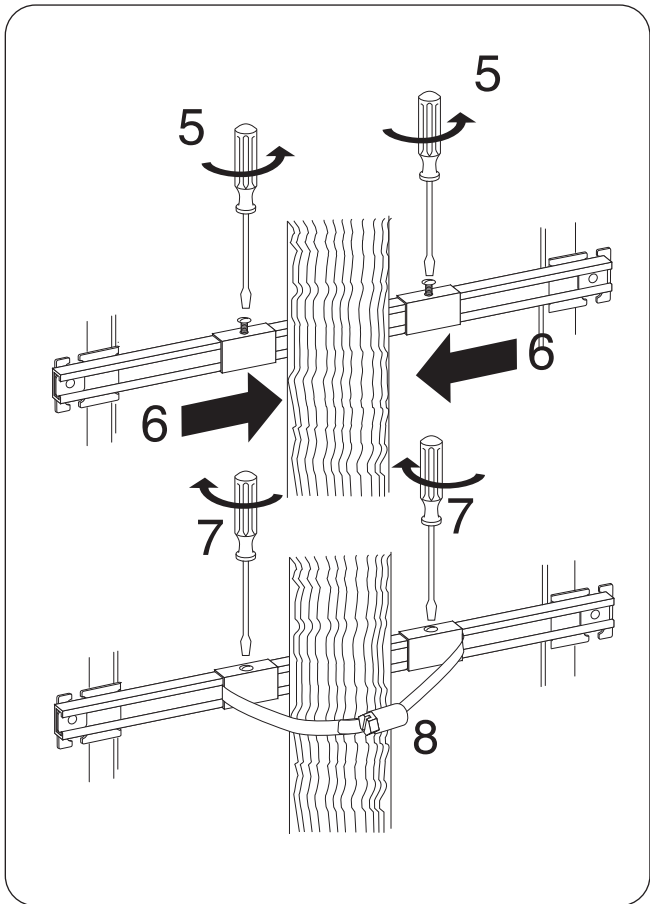
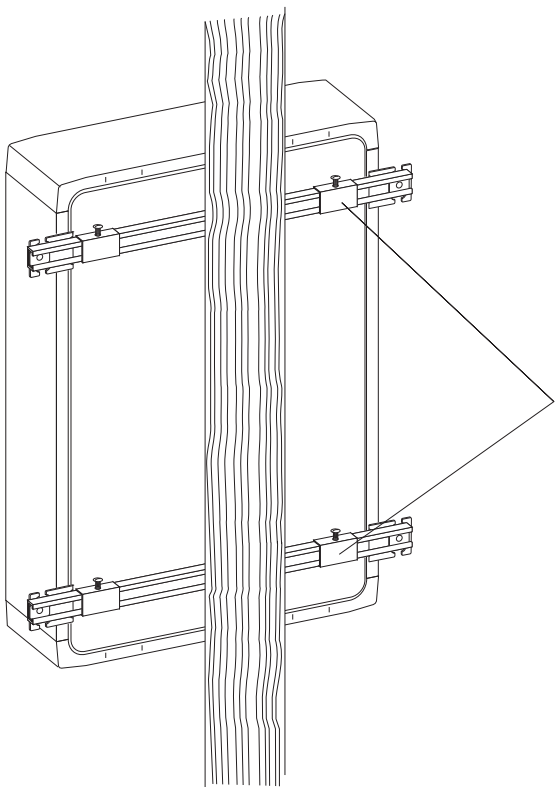
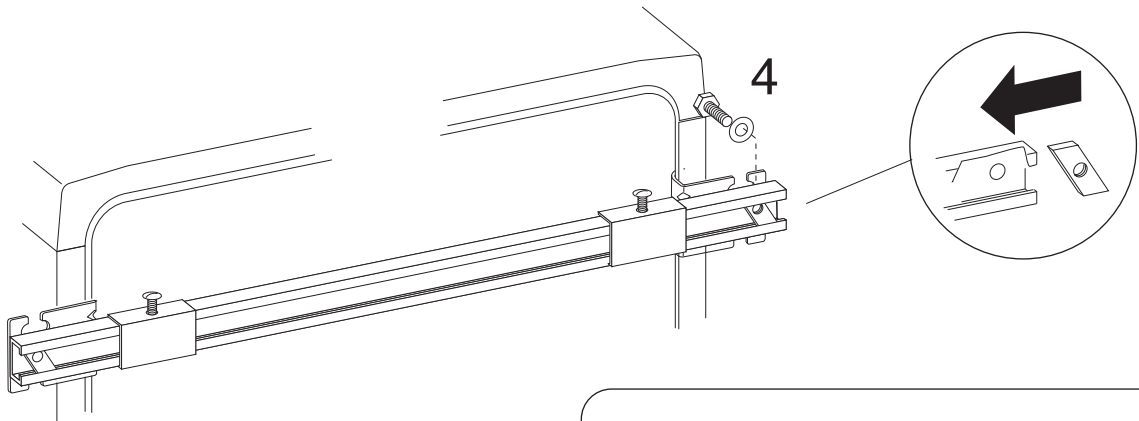
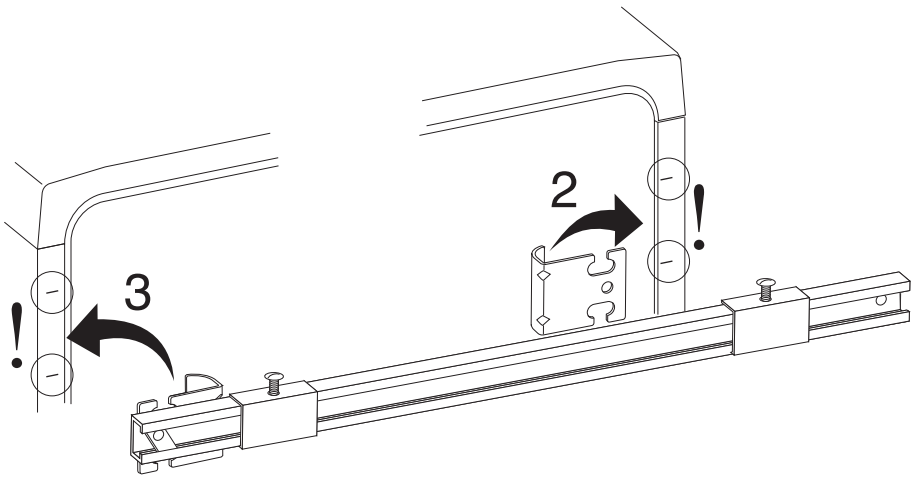
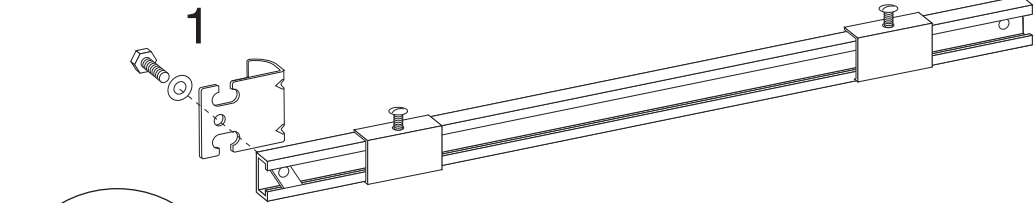
B	P
500	592
750	842
1000	1092
1250	1342

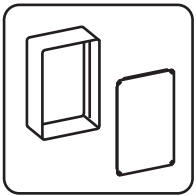
H	O
500	290
750	540
1000	790
1250	1040



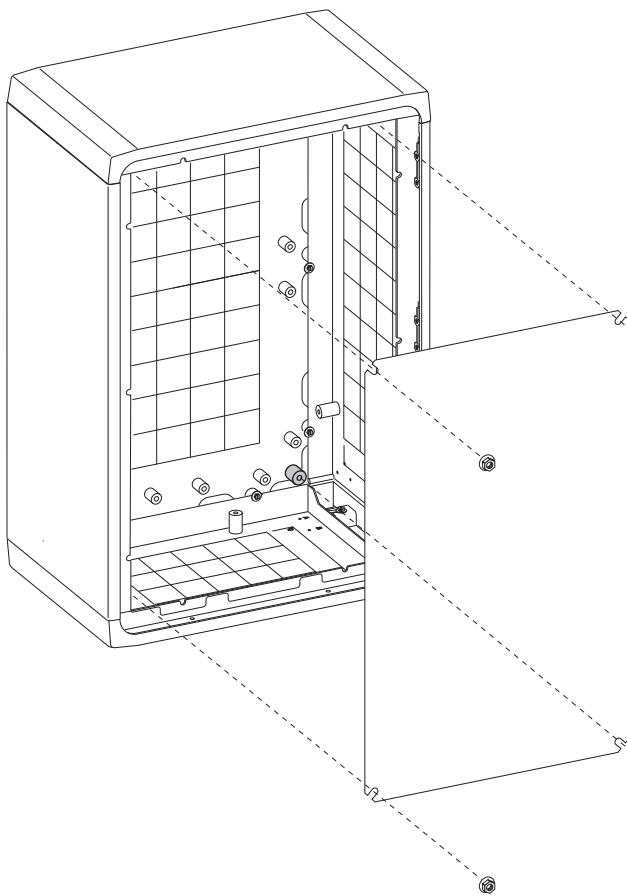
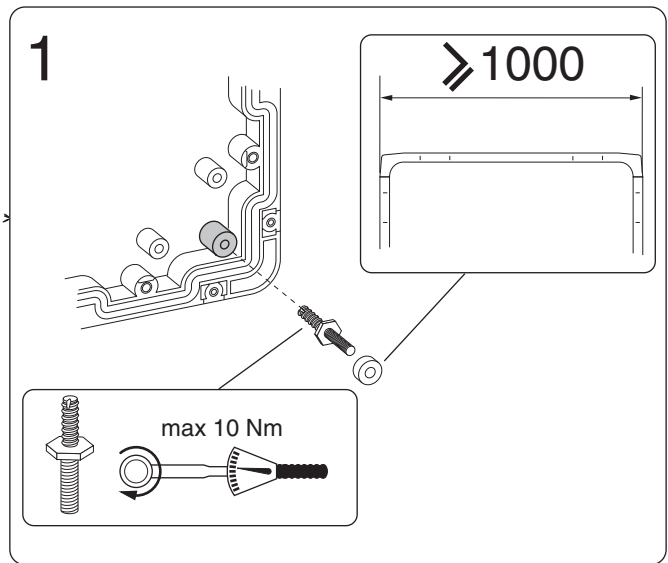
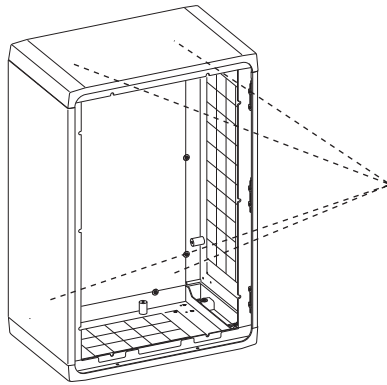


OPTION

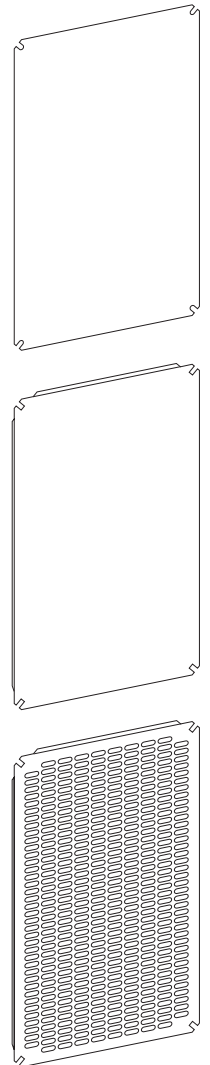
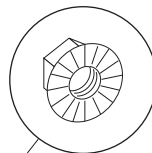


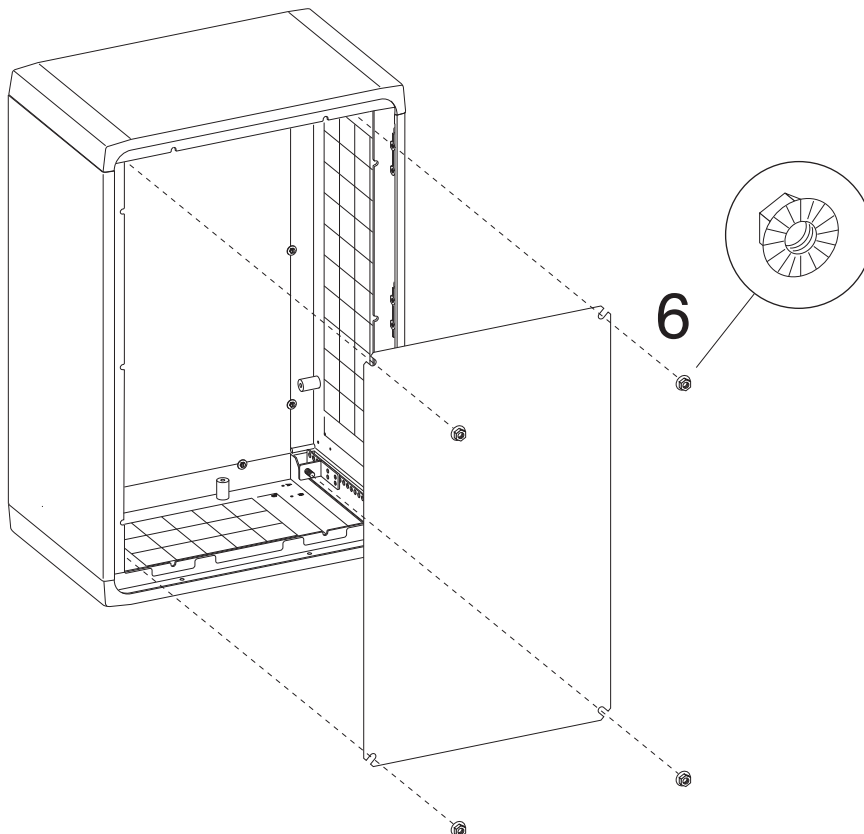
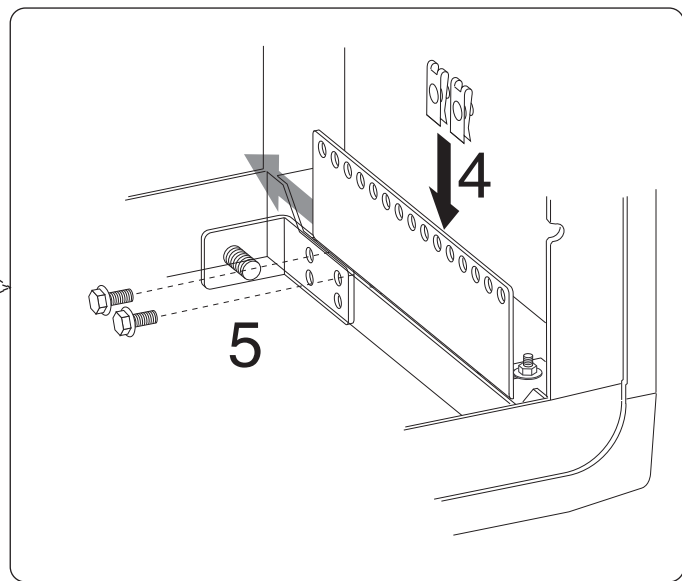
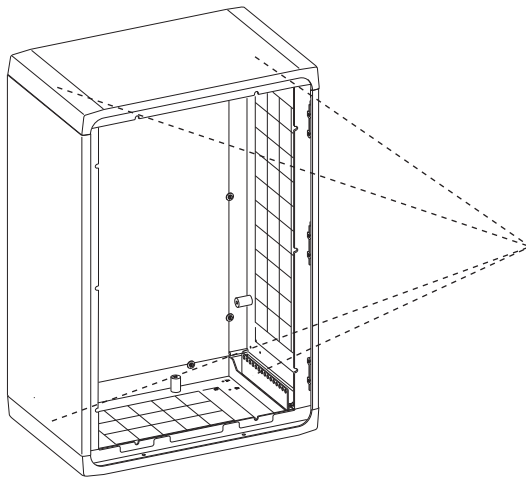
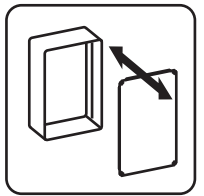
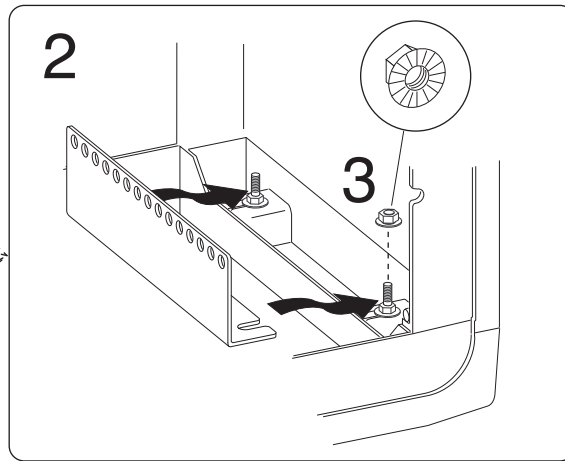
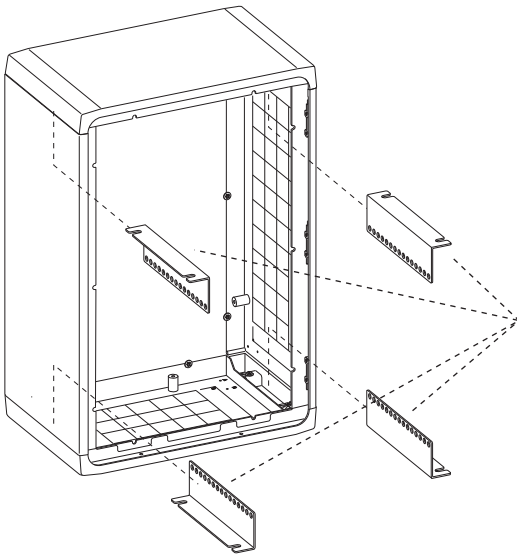


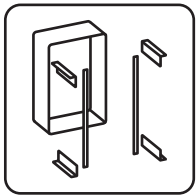
OPTION



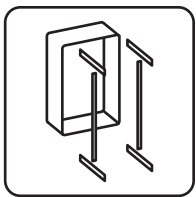
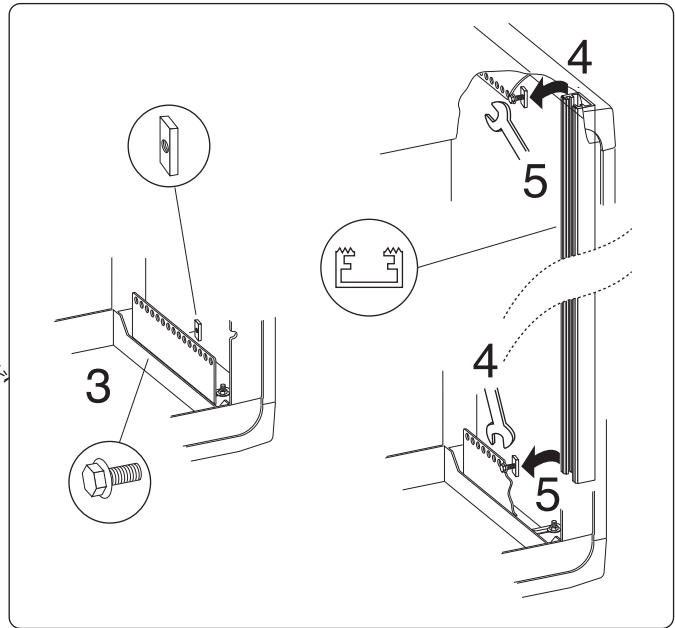
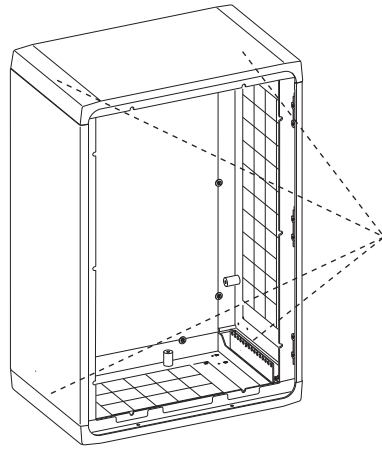
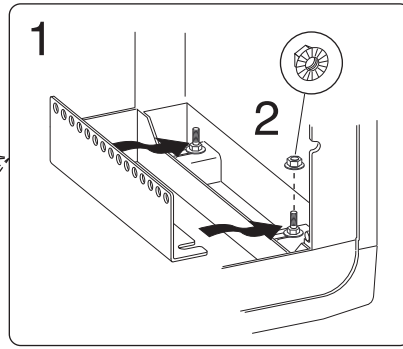
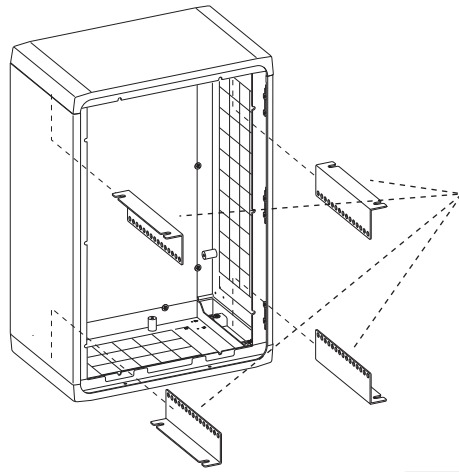
2



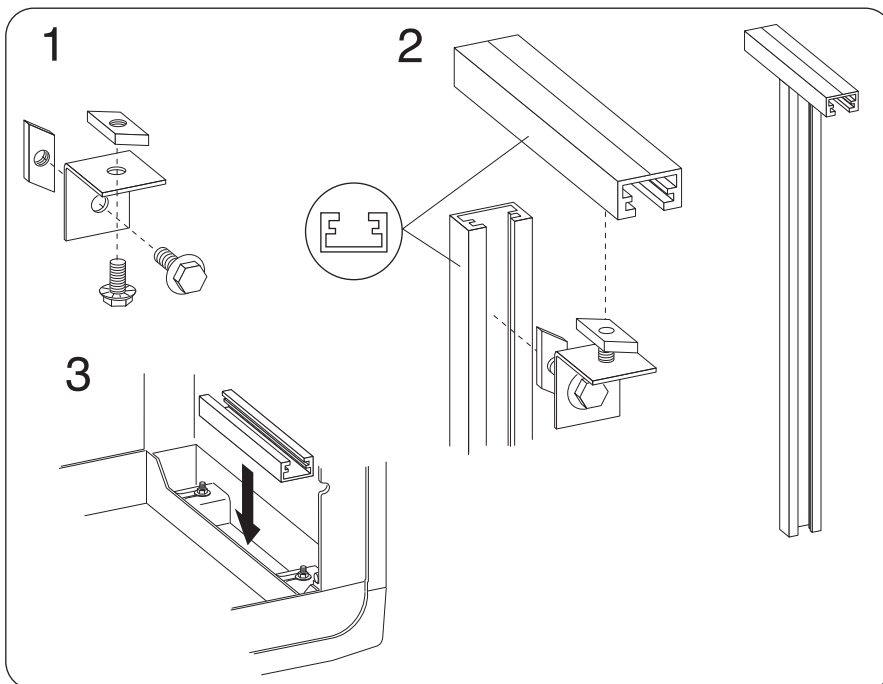


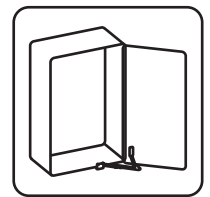
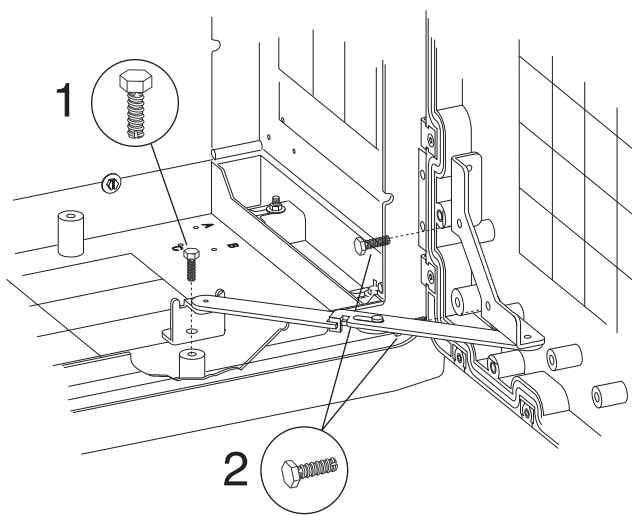
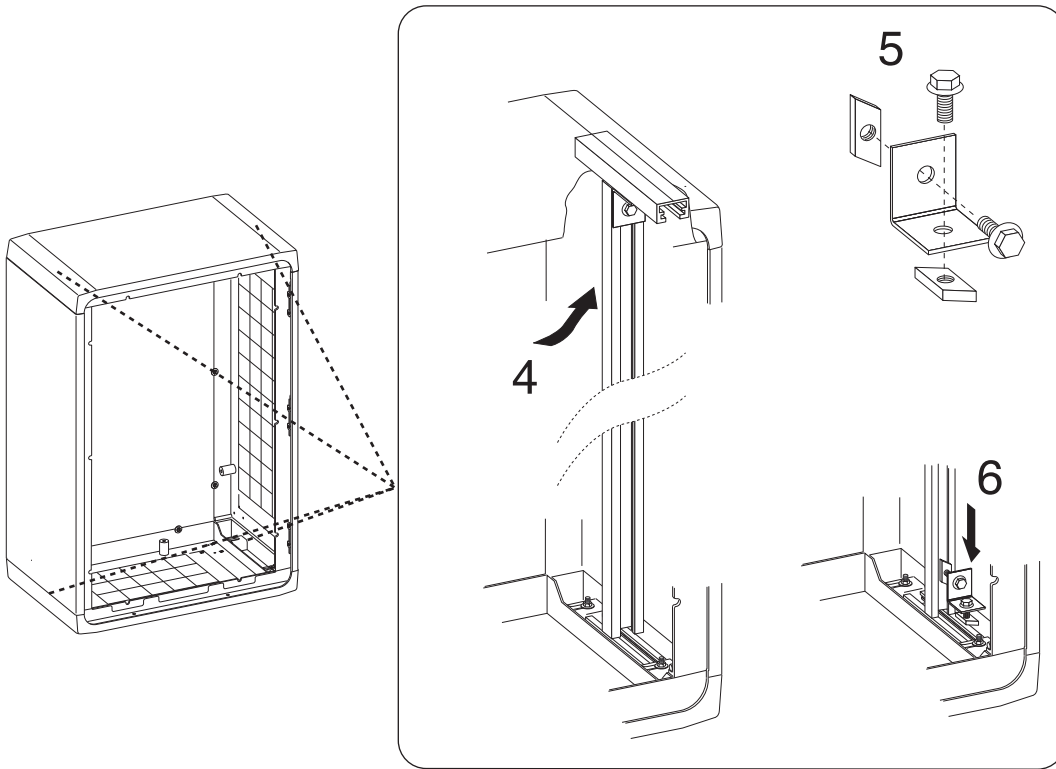


OPTION

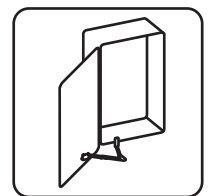
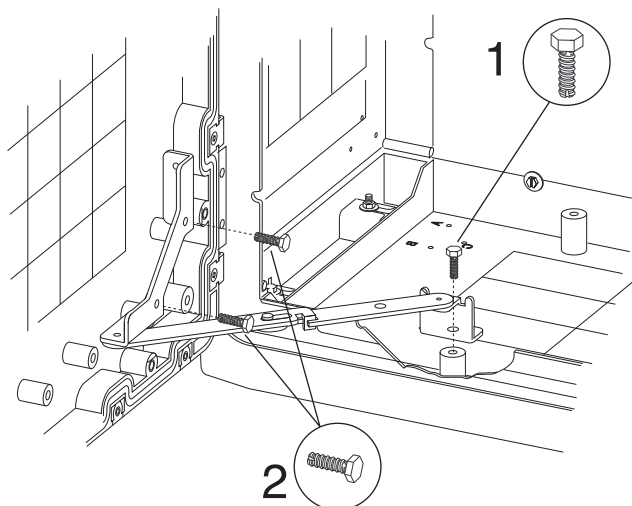


OPTION

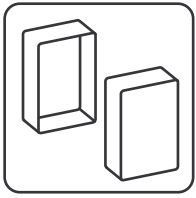




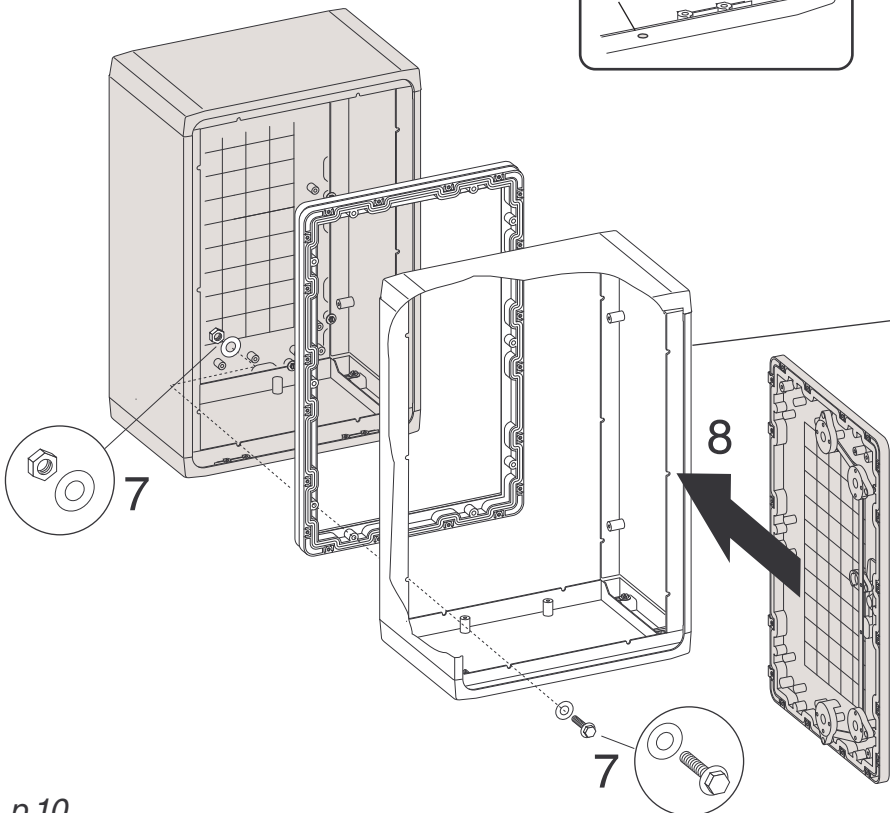
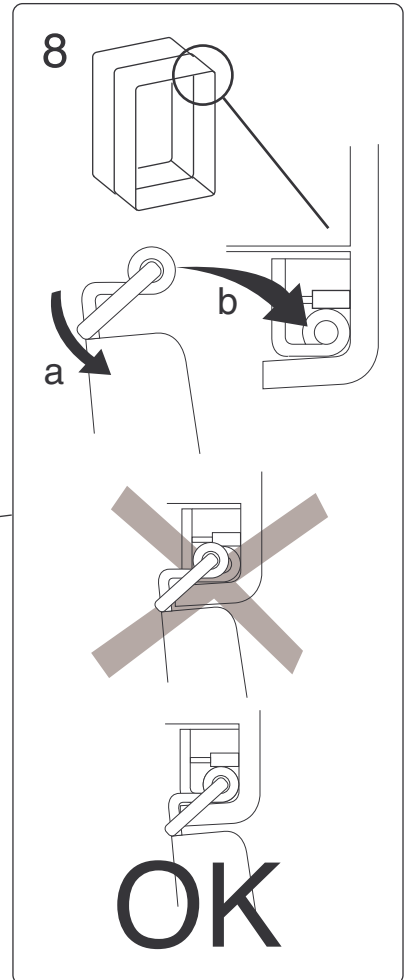
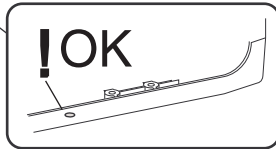
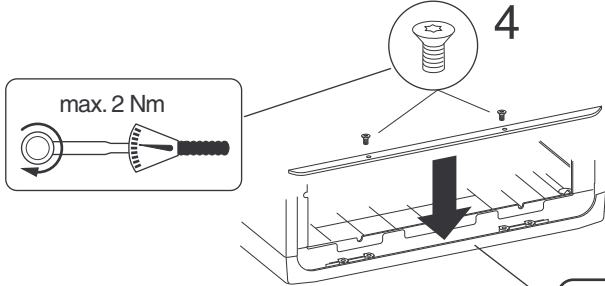
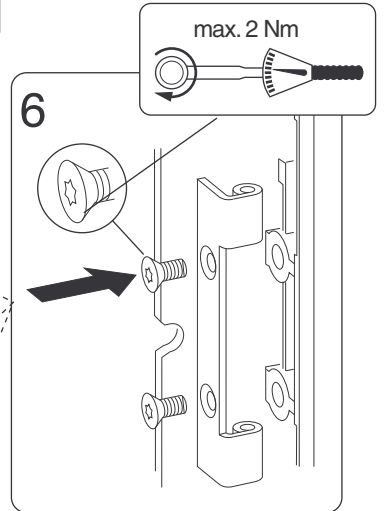
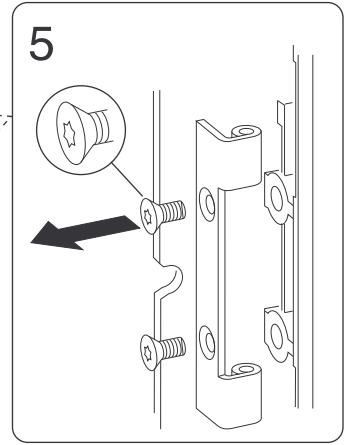
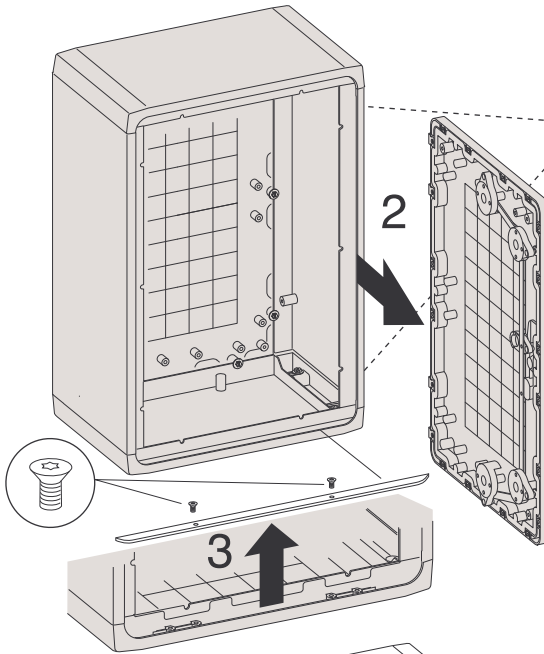
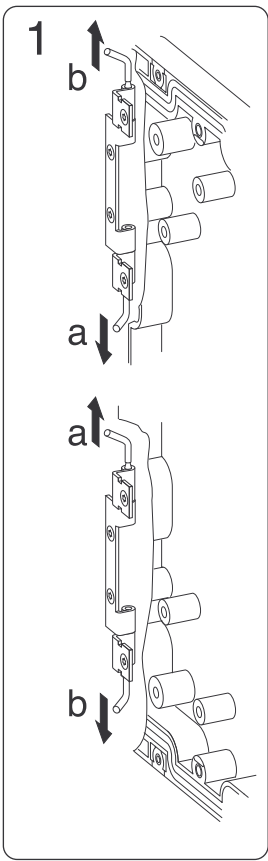
OPTION

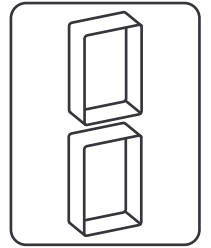
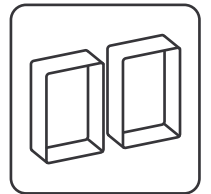
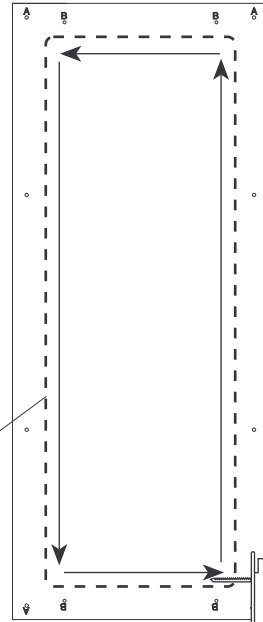
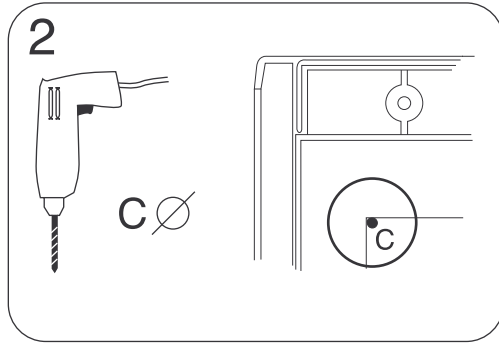
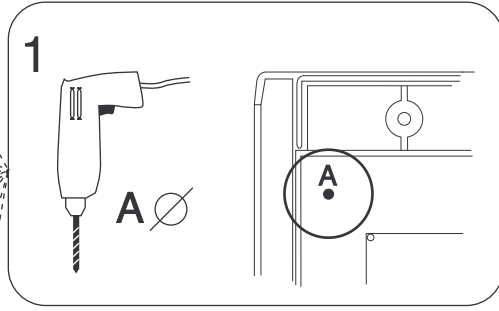
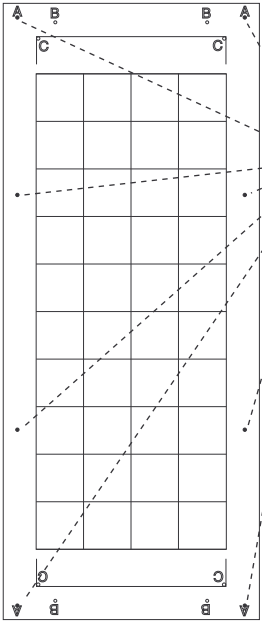


OPTION

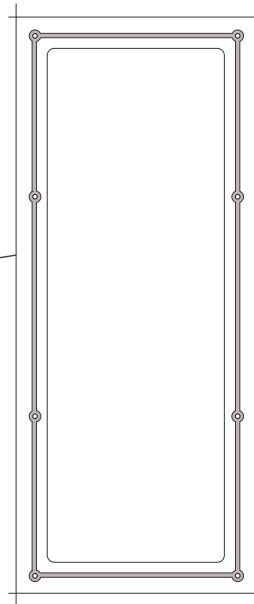
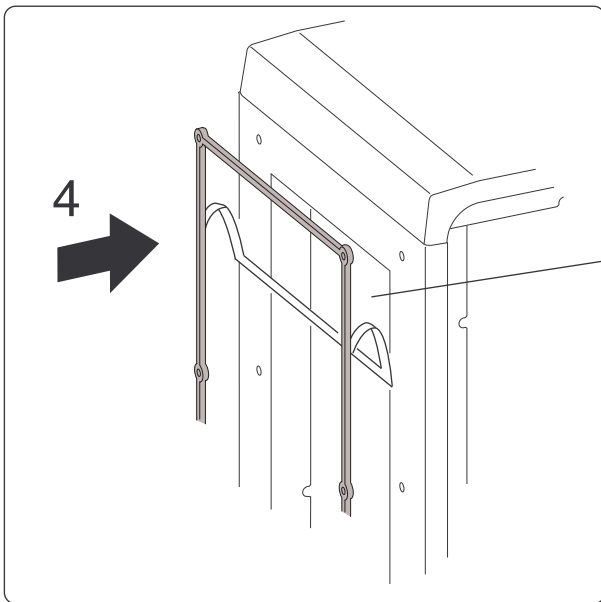


OPTION

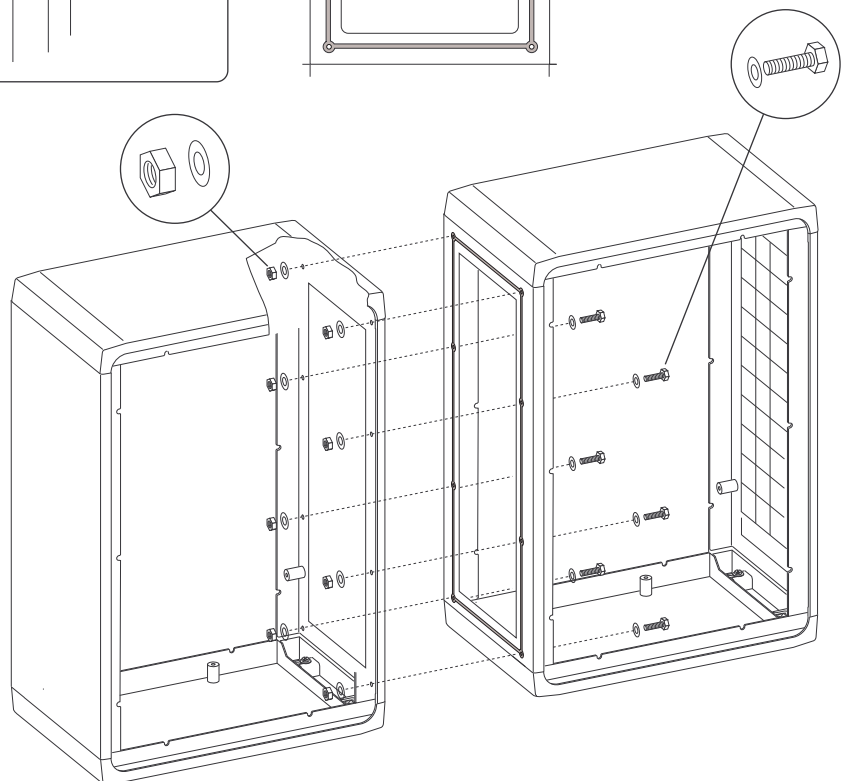




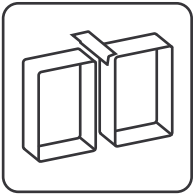
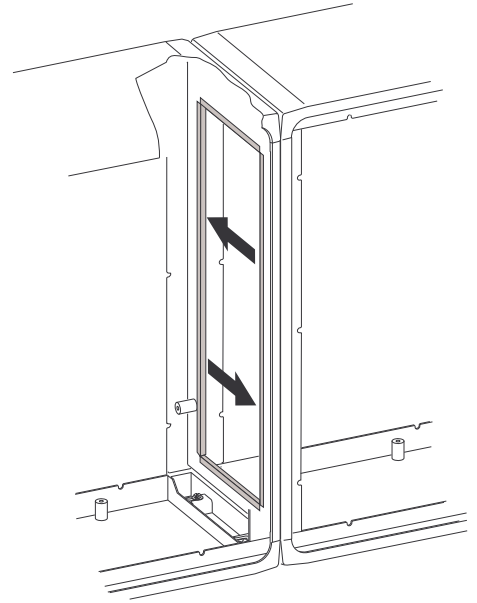
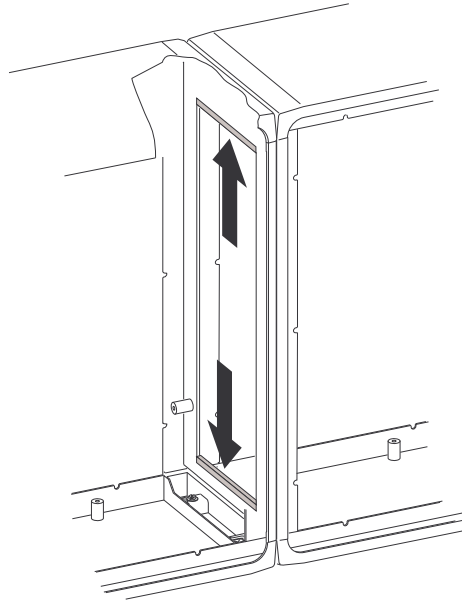
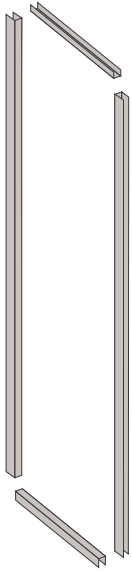
3



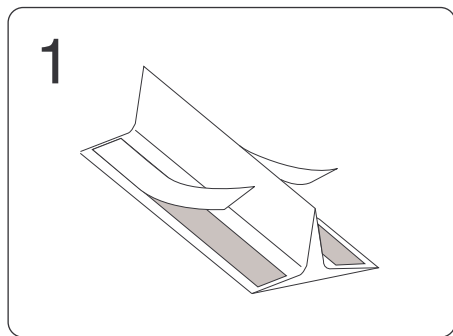
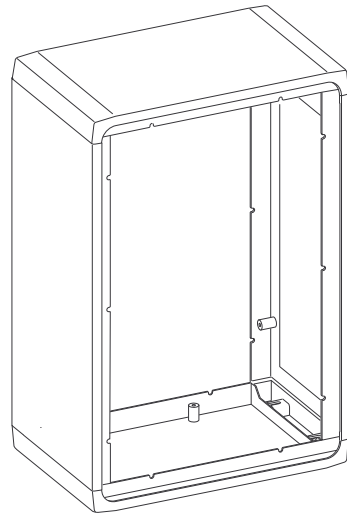
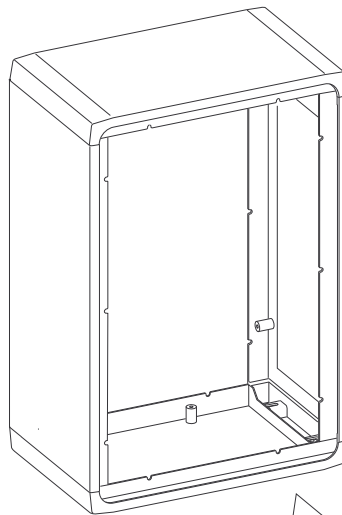
5



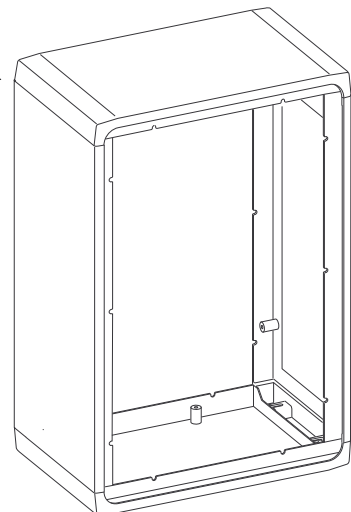
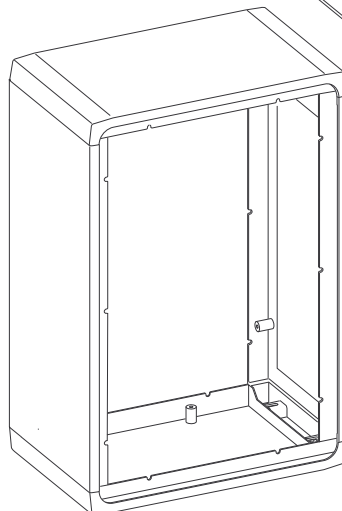
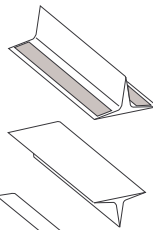
6

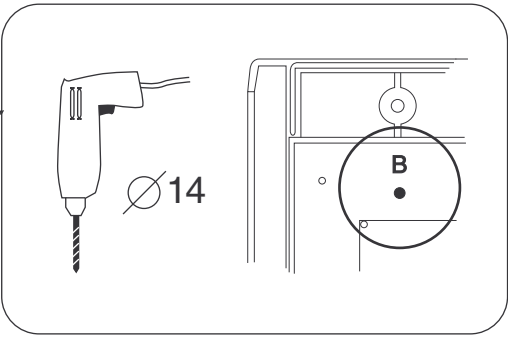
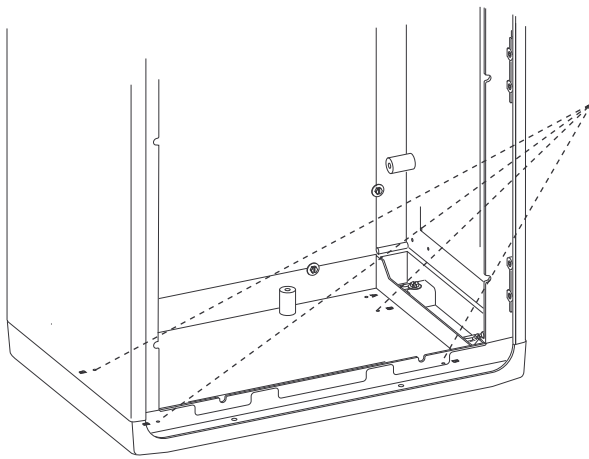


OPTION



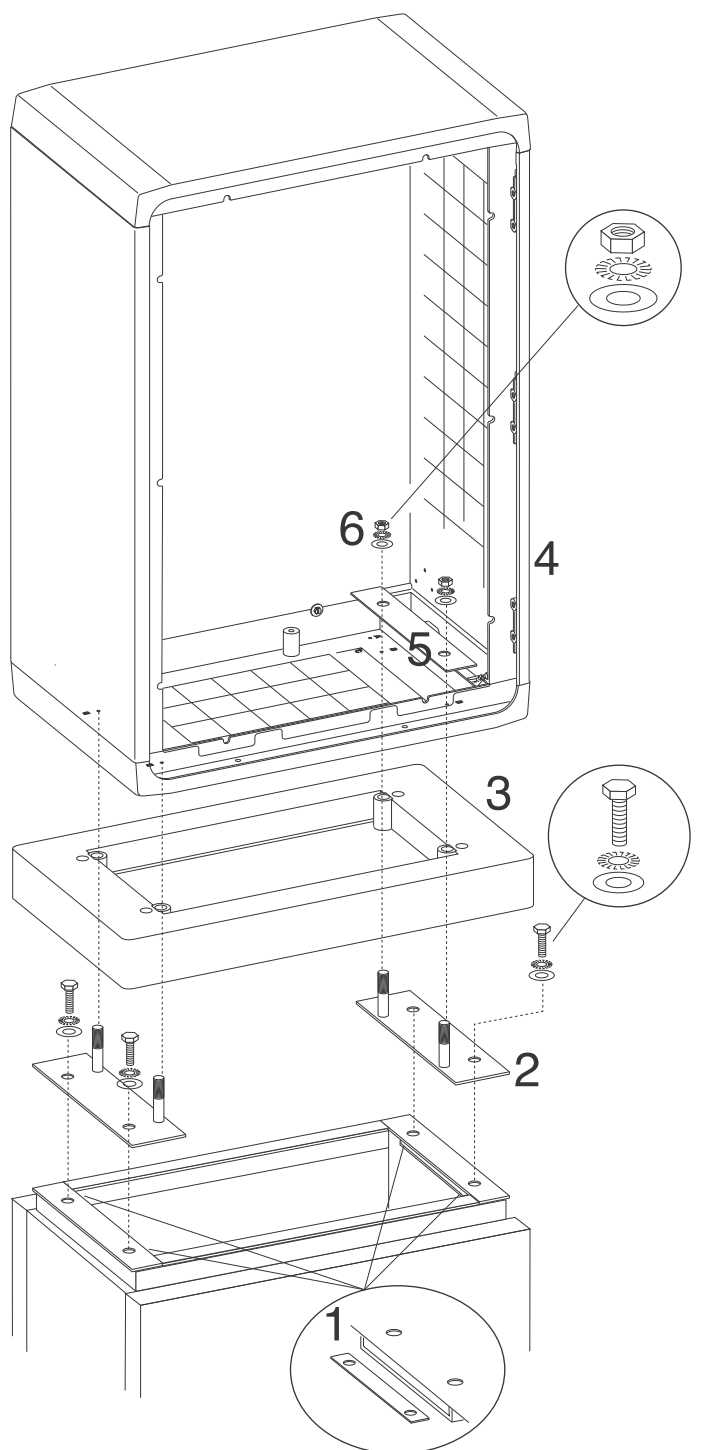
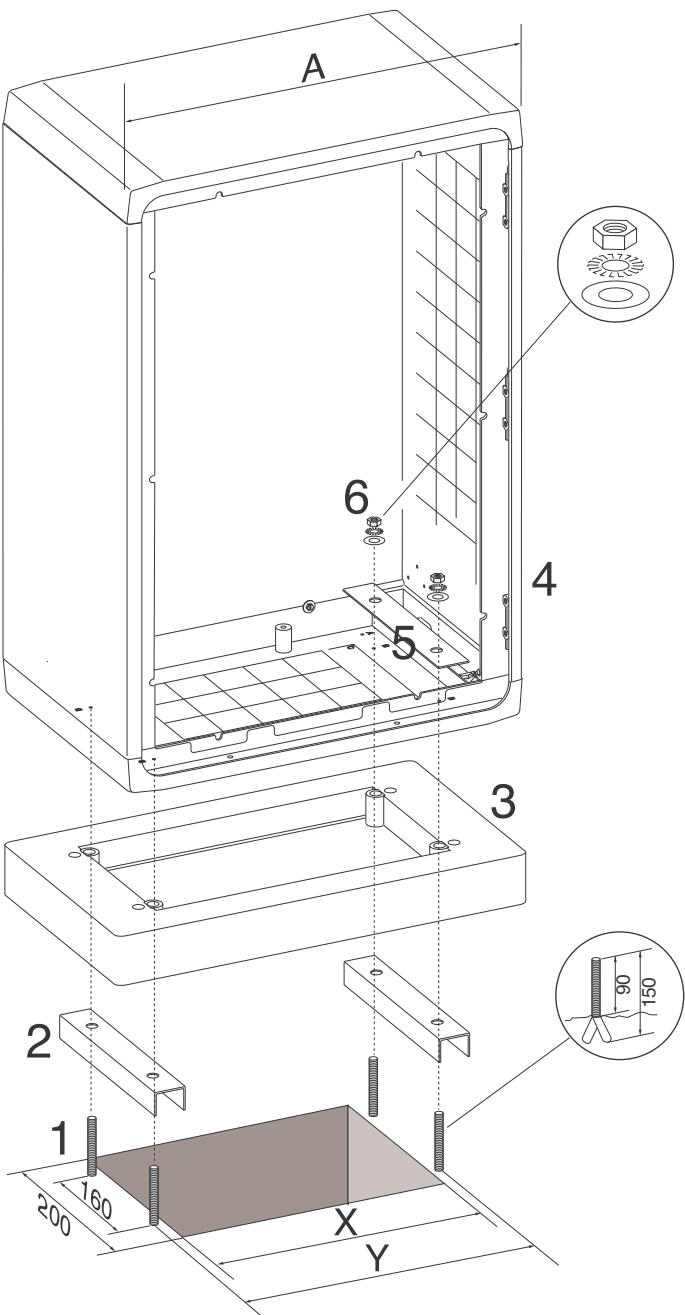
2

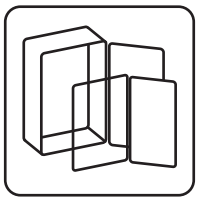




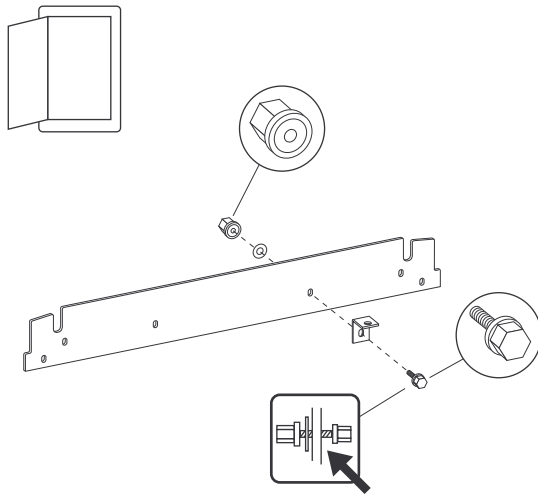
OPTION

A	X	Y
500	330	360
750	580	610
1000	830	860
1250	1080	1110

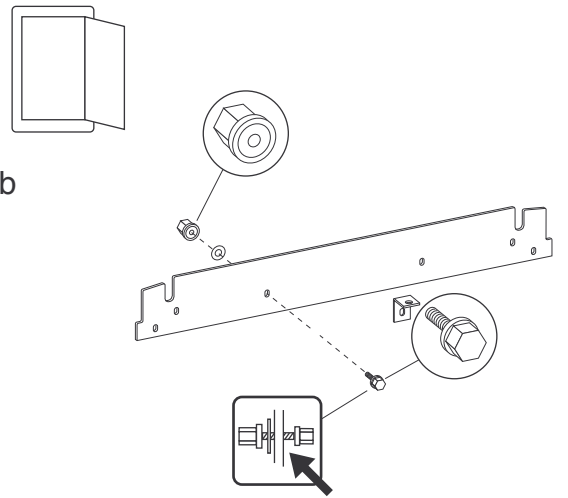




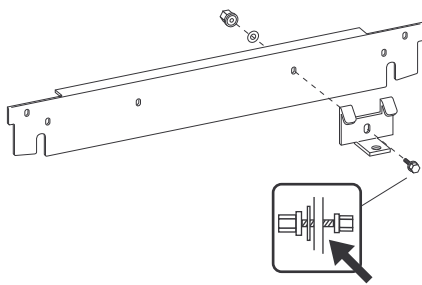
1a



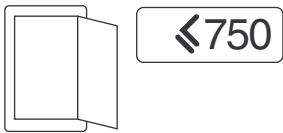
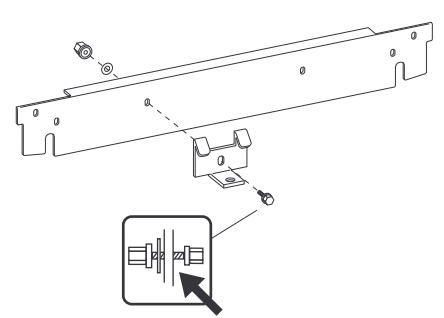
1b



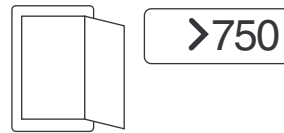
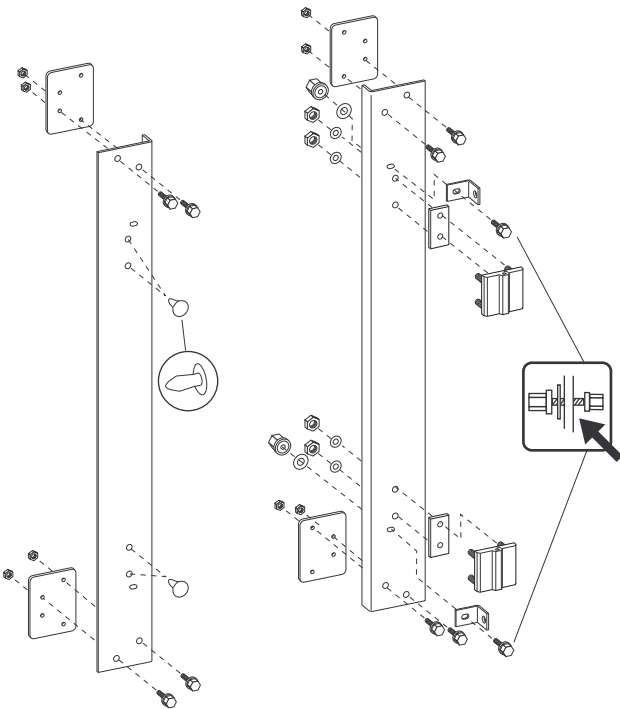
2a



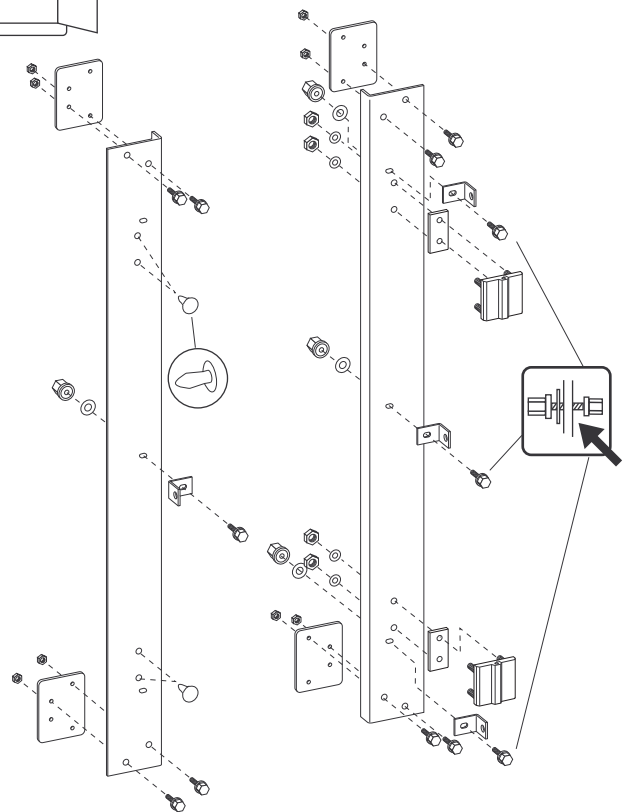
2b



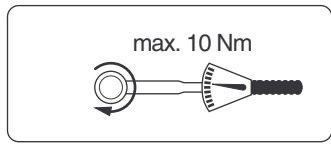
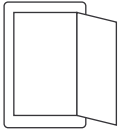
≤ 750



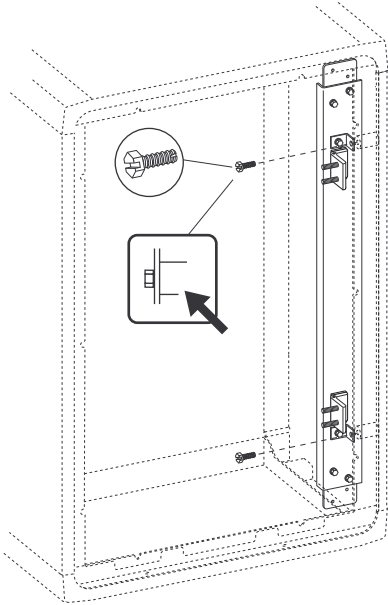
> 750



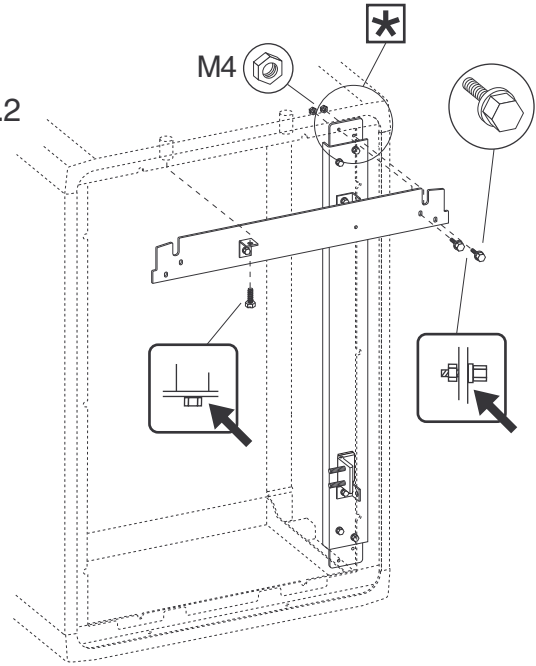
4



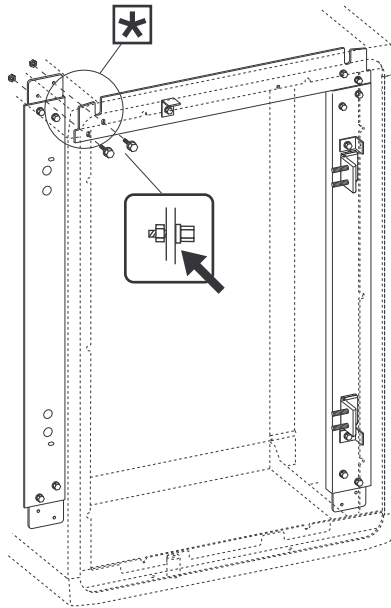
4.1



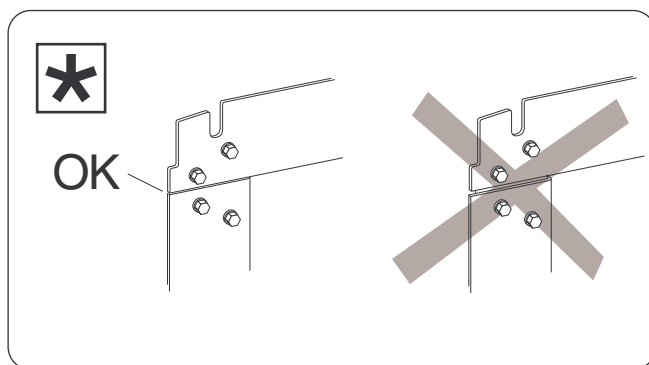
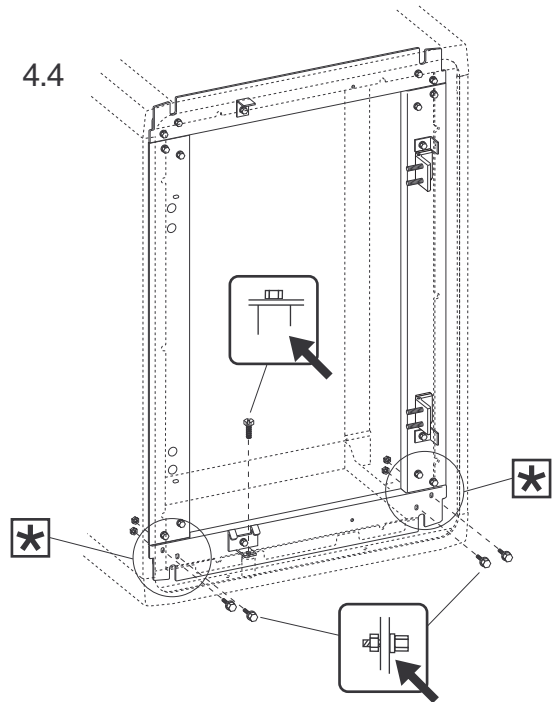
4.2

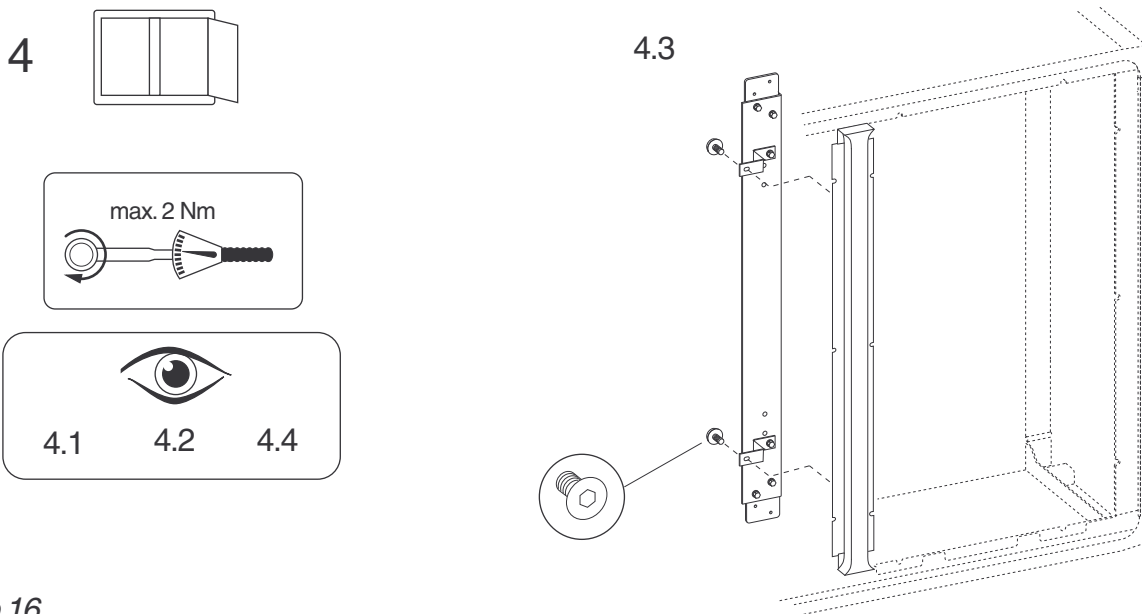
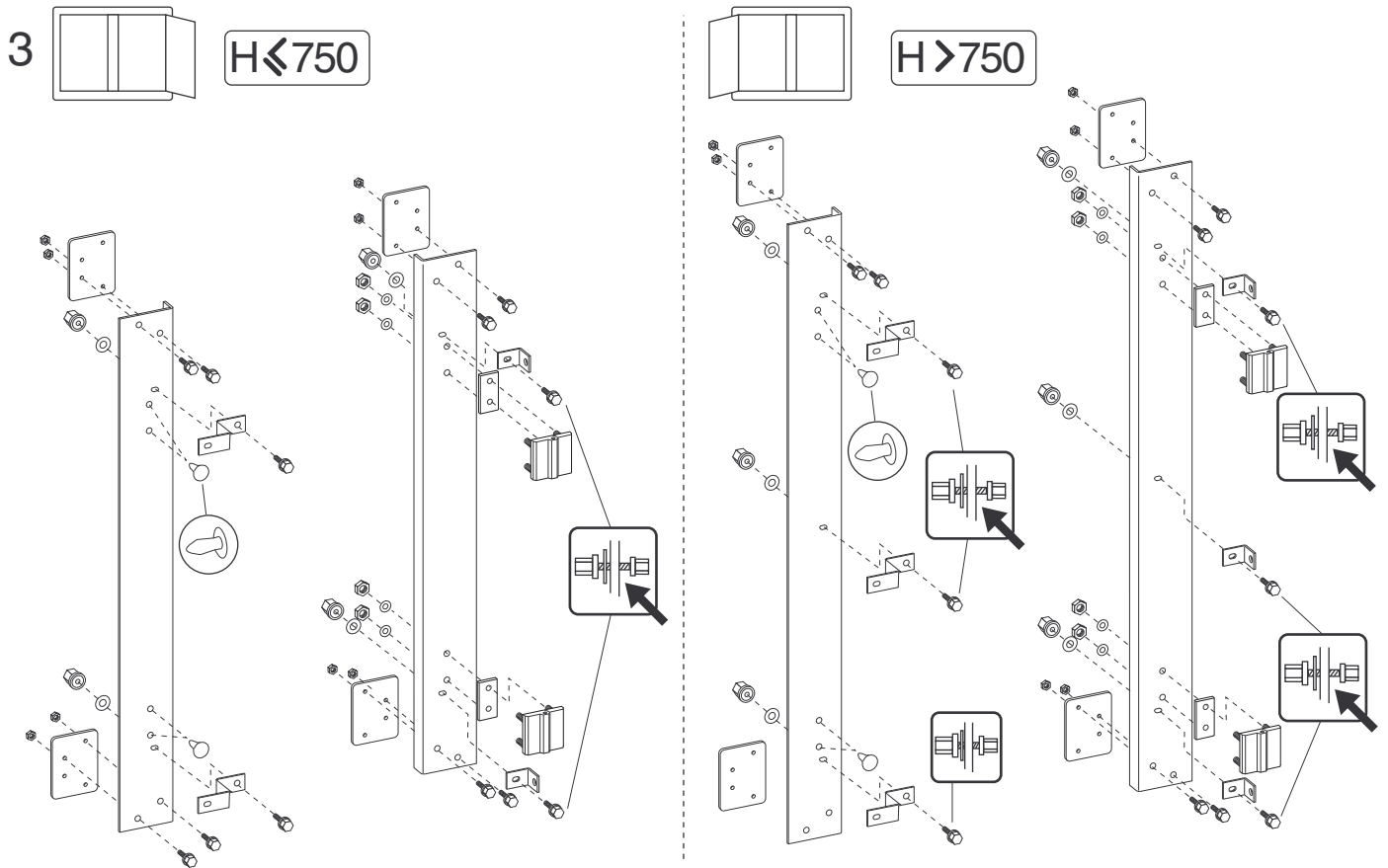
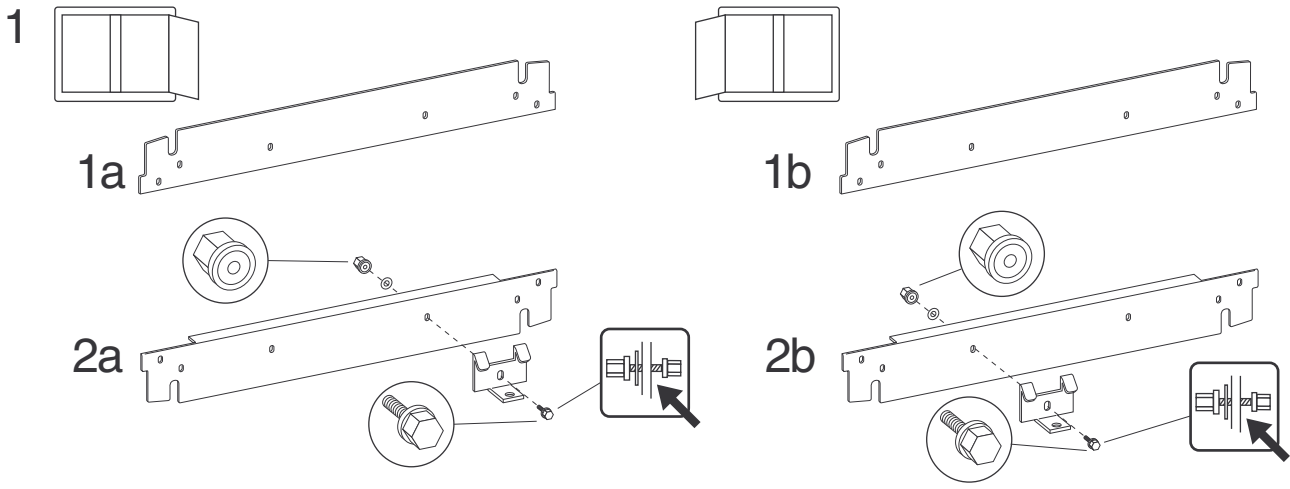


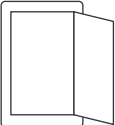
4.3

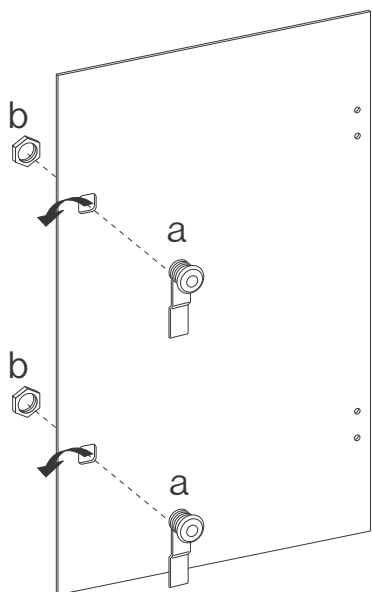


4.4

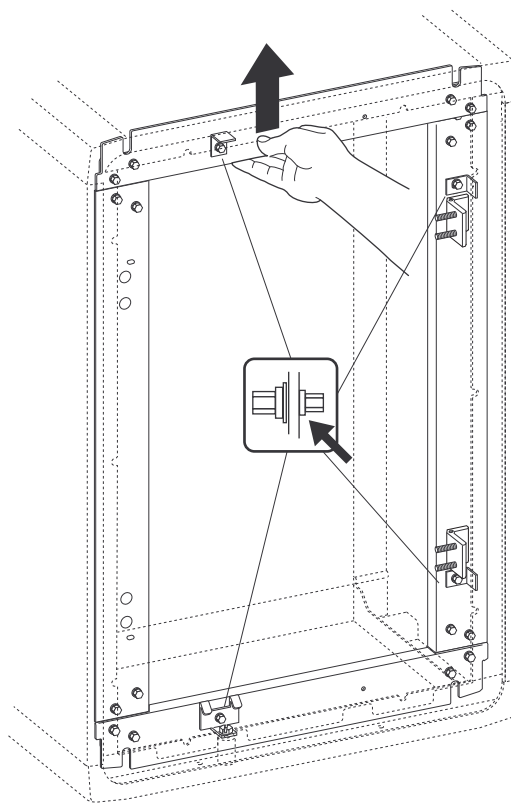




5  $H < 750$ 1xab
 $H \geq 750$ 2xab



6



7

