

This roof filter fan, RFU, with either a IP 33 or 54 protection degree, to be mounted on the enclosure's roof, is easily mounted with a click-in feature. Thus, no surface needs to be used on the door. Component failure and downtime is eliminated as water and dust are prevented from entering the enclosure. The filter fan's reliable motor guarantees constant ventilation within each enclosure on which the fan is installed.

**Description:** Roof fan unit for mounting on the top of the enclosure providing forced ventilation. The unit is easily installed with a quick fastening system, and the required cutout is the same for the different air flow.

**Material:** Painted mild steel, and injection-moulded thermoplastic (ABS-FR) self extinguishing, UL94V0.

**Temperature range:** -15 °C to +55 °C.

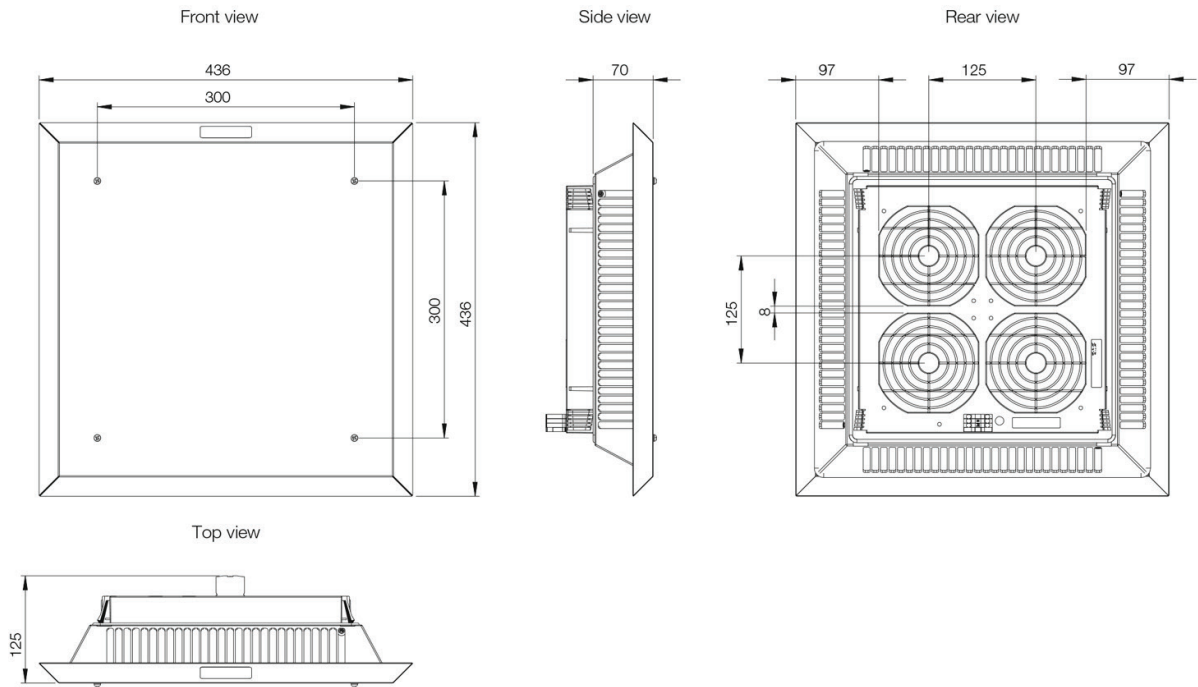
**Type of connection:** Terminal strip.

**Finish:** RAL 7035.

**Pack quantity:** One roof fan unit.

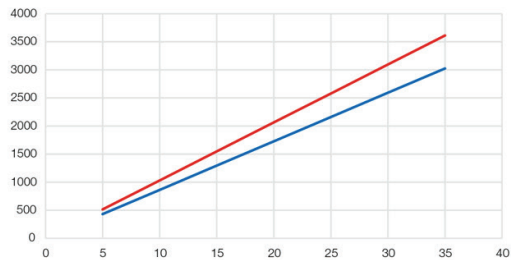
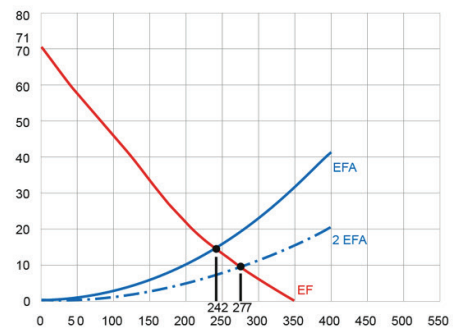
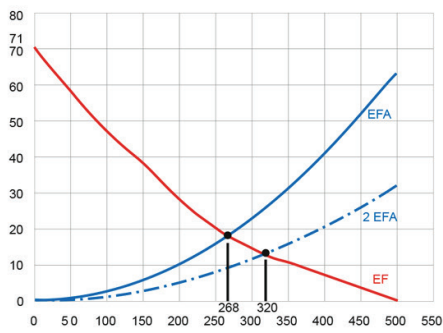


RFU5003R5 / RFU5005R5 / RFU5013R5 / RFU5015R5

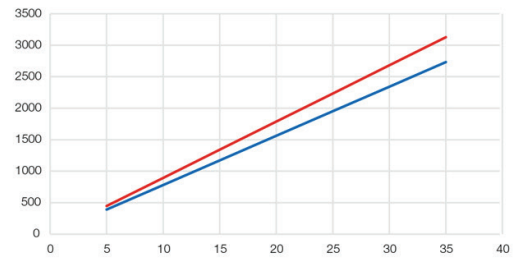


RFU5005R5 / RFU5015R5

RFU5003R5 / RFU5013R5



— RFU + 2 EFA — RFU + EFA



— RFU + 2 EFA — RFU + EFA

## 230 V, 50/60 Hz

		Filter mat (EN779)		Service life L10 (40°C) (h)	Bearing type	Noise (dB)	IP	Cut-out (mm)	Weight (kg)		Current (A)	Power (W)	Fuse (A)	Item no.
500	268	No filter mat	No filter mat	50.000	Ball	67	33	291 x 291	5.55	Terminal strip	4 x	4 x 28/29	6	
700	427	No filter mat	No filter mat	40.000	Ball	69	33	291 x 291	6.15	Terminal strip		80/100	6	
1000	582	No filter mat	No filter mat	40.000	Ball	77	33	291 x 291	6.45	Terminal strip		120/160	6	
350	242	G4	>90	50.000	Ball	67	54	291 x 291	5.55	Terminal strip	4 x	4 x 28/29	6	
550	370	G4	>90	40.000	Ball	69	54	291 x 291	6.30	Terminal strip		80/100	6	
750	500	G4	>90	40.000	Ball	77	54	291 x 291	4.78	Terminal strip		120/160	6	

## 115 V AC, 50/60Hz

		Filter mat (EN779)		Service life L10 (40°C) (h)	Bearing type	Noise (dB)	IP	Cut-out (mm)	Weight (kg)		Current (A)	Power (W)	Fuse (A)	Item no.
500	268	No filter mat	No filter mat	50.000	Ball	67	33	291 x 291	5.60	Terminal strip	4 x	4 x 29/24	6	
700	427	No filter mat	No filter mat	40.000	Ball	69	33	291 x 291	4.56	Terminal strip		75/90	6	
1000	582	No filter mat	No filter mat	40.000	Ball	77	33	291 x 291	4.78	Terminal strip		110/160	6	
350	242	G4	>90	50.000	Ball	67	54	291 x 291	5.33	Terminal strip	4 x	4 x 29/24	6	
550	370	G4	>90	40.000	Ball	69	54	291 x 291	4.56	Terminal strip		75/90	6	
750	500	G4	>90	40.000	Ball	77	54	291 x 291	4.78	Terminal strip		110/160	6	

(1) The value in the table is for the combination RFU + EFA500-700R5.



