

MODEL XL8B

CURRENT TRANSFORMERS

KEY FEATURES

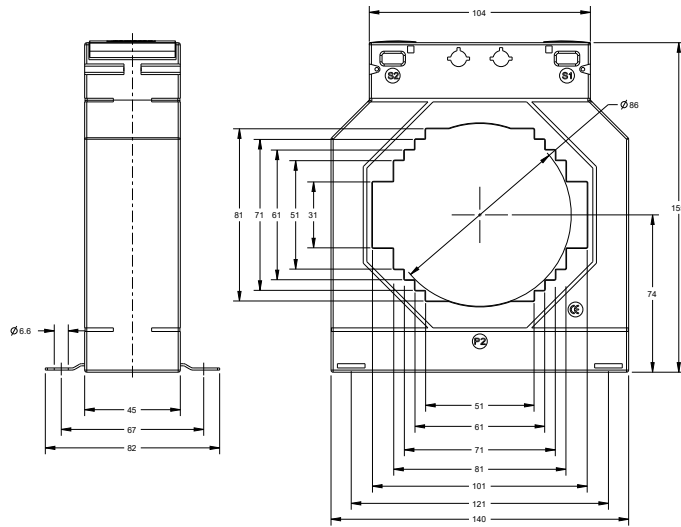
- Frequency 50/60 Hz
- Insulation class E (120 °C Maximum)
- Flame retardant case UL94V-0 approved
- System voltage 720 V max
- Cost-effective moulded case
- 1A secondary available
- Feet mounting
- Rated continuous thermal current 1.2 x in
- Hinged terminal covers
- IEC 61869-2 compliant

TE Connectivity's (TE) Crompton Instruments Model XL8B is part of the Ebony Excel range of current transformers that offer wide system current ratings, apertures, busbar and case sizes to suit every application. Manufactured to meet IEC 61869-2, the range benefits include ratio rating from 1/5 to 6000/5, a comprehensive range of class accuracies, hinged wire sealable terminal covers for safety and multiple mounting options.

The toroidal core and secondary winding are encapsulated with UL94V-0 approved polycarbonate, in a moulded case providing excellent mechanical strength and electrical insulation.

Customers can count on consistent, high quality products, driven by TE's proven innovation and backed by our extraordinary customer support.

Model XL8B Current Transformers



| XL8B RANGE | |
|--------------|-----------------|
| Model Type | Primary Current |
| XL8B-200/5A | 200A |
| XL8B-250/5A | 250A |
| XL8B-300/5A | 300A |
| XL8B-400/5A | 400A |
| XL8B-500/5A | 500A |
| XL8B-600/5A | 600A |
| XL8B-750/5A | 750A |
| XL8B-800/5A | 800A |
| XL8B-1000/5A | 1000A |
| XL8B-1200/5A | 1200A |
| XL8B-1250/5A | 1250A |
| XL8B-1500/5A | 1500A |
| XL8B-1600/5A | 1600A |
| XL8B-2000/5A | 2000A |
| XL8B-2500/5A | 2500A |
| XL8B-3000/5A | 3000A |
| XL8B-4000/5A | 4000A |

| ACCURACY | | |
|----------|---------|-----------|
| Class 3 | Class 1 | Class 0.5 |
| 5VA | 3.75VA | 1.5VA |
| 7.5VA | 5VA | 2.5VA |
| 10VA | 7.5VA | 3.75VA |
| 12.5VA | 10VA | 7.5VA |
| 12.5VA | 12.5VA | 10VA |
| 15VA | 15VA | 10VA |
| 20VA | 20VA | 15VA |
| 25VA | 20VA | 15VA |
| 25VA | 20VA | 15VA |
| 30VA | 30VA | 15VA |
| 35VA | 30VA | 15VA |
| 40VA | 30VA | 20VA |
| 45VA | 45VA | 20VA |
| 45VA | 45VA | 45VA |
| 45VA | 45VA | 45VA |
| 60VA | 60VA | 60VA |
| 60VA | 60VA | 60VA |

| SECURITY FACTOR (ISF) | | |
|-----------------------|---------|-----------|
| Class 3 | Class 1 | Class 0.5 |
| FS5 | FS5 | FS10 |
| FS5 | FS5 | FS10 |
| FS5 | FS5 | FS10 |
| FS5 | FS5 | FS10 |
| FS5 | FS5 | FS10 |
| FS5 | FS5 | FS5 |
| FS5 | FS5 | FS5 |
| FS5 | FS5 | FS5 |
| FS5 | FS5 | FS5 |
| FS5 | FS5 | FS5 |
| FS5 | FS5 | FS5 |
| FS5 | FS5 | FS5 |
| FS5 | FS5 | FS5 |
| FS5 | FS5 | FS5 |
| FS5 | FS5 | FS5 |

Case Size: 140 mm wide x 45 mm deep x 155 mm high
 Aperture: 101 x 31 mm - 81 x 51 mm - 71 x 61 mm - Ø 86 mm
 Primary Rating: 200 - 4000A
 Secondary Rating: 5A as below, 1A Ratio's available change part number to end in 1A e.g. XL8B-200/1A

Learn more: [TE.com/energy](https://www.te.com/energy)

Connect with us:
[TE.com/energy-contact](https://www.te.com/energy-contact)

© 2021 TE Connectivity. All Rights Reserved. EPP-3787-4/21

TE, TE Connectivity, TE connectivity (logo), EVERY CONNECTION COUNTS are trademarks owned or licensed by TE Connectivity. Other logos, product and company names mentioned herein may be trademarks of their respective owners. While TE has made every reasonable effort to ensure the accuracy of the information in this brochure, TE does not guarantee that it is error-free, nor does TE make any other representation, warranty or guarantee that the information is accurate, correct, reliable or current. TE reserves the right to make any adjustments to the information contained herein at any time without notice. TE Connectivity's obligations shall only be as set forth in TE Connectivity's Standard Terms and Conditions of Sale for this product and in no case will TE Connectivity be liable for any incidental, indirect or consequential damages arising out of the sale, resale, use or misuse of the product. TE expressly disclaims all implied warranties regarding the information contained herein, including, but not limited to, any implied warranties of merchantability or fitness for a particular purpose. The dimensions, specifications, and/or information contained herein are for reference purposes only and are subject to change without notice. Consult TE for the latest dimensions, specifications, and/or information. Users of TE Connectivity products should make their own evaluation to determine the suitability of each such product for the specific application.