

MODEL XL8A CURRENT TRANSFORMERS

KEY FEATURES

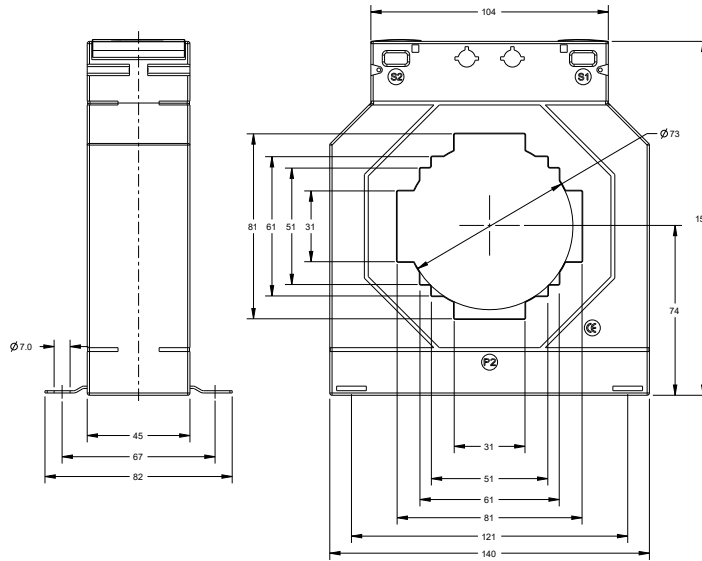
- Frequency 50/60 Hz
- Insulation class E (120 °C Maximum)
- Flame retardant case UL94V-0 approved
- System voltage 720 V max
- Cost-effective moulded case
- 1A secondary available
- Feet mounting
- Rated continuous thermal current 1.2 x in
- Hinged terminal covers
- IEC 61869-2 compliant

TE Connectivity's (TE) Crompton Instruments Model XL8A is part of the Ebony Excel range of current transformers that offer wide system current ratings, apertures, busbar and case sizes to suit every application. Manufactured to meet IEC 61869-2, the range benefits include ratio rating from 1/5 to 6000/5, a comprehensive range of class accuracies, hinged wire sealable terminal covers for safety and multiple mounting options.

The toroidal core and secondary winding are encapsulated with UL94V-0 approved polycarbonate, in a moulded case providing excellent mechanical strength and electrical insulation.

Customers can count on consistent, high quality products, driven by TE's proven innovation and backed by our extraordinary customer support.

Model XL8A Current Transformers



XL8A RANGE

Model Type	Primary Current
XL8A-200/5A	200A
XL8A-250/5A	250A
XL8A-300/5A	300A
XL8A-400/5A	400A
XL8A-500/5A	500A
XL8A-600/5A	600A
XL8A-750/5A	750A
XL8A-800/5A	800A
XL8A-1000/5A	1000A
XL8A-1200/5A	1200A
XL8A-1250/5A	1250A
XL8A-1500/5A	1500A
XL8A-1600/5A	1600A
XL8A-2000/5A	2000A

ACCURACY

Class 3	Class 1	Class 0.5
7.5VA	5VA	2.5VA
12.5VA	10VA	5VA
15VA	15VA	7.5VA
25VA	20VA	10VA
30VA	30VA	15VA
35VA	30VA	15VA
45VA	45VA	15VA
50VA	45VA	15VA
60VA	60VA	30VA
60VA	60VA	30VA
60VA	60VA	60VA
60VA	60VA	60VA
60VA	60VA	60VA
60VA	60VA	60VA

SECURITY FACTOR (ISF)

Class 3	Class 1	Class 0.5
FS5	FS5	FS10
FS5	FS5	FS5
FS5	FS5	FS5
FS5	FS5	FS5
FS5	FS5	FS5
FS5	FS5	FS5
FS5	FS5	FS5
FS5	FS5	FS5
FS5	FS5	FS5
FS5	FS5	FS5
FS5	FS5	FS5
FS5	FS5	FS5
FS5	FS5	FS5

Case Size: 140 mm wide x 45 mm deep x 155 mm high

Aperture: 81 x 31 mm - 61 x 51 mm - Ø 73 mm

Primary Rating: 200 - 2000A

Secondary Rating: 5A as below, 1A Ratio's available
change part number to end in 1A e.g. XL8A-200/1A

Learn more: [TE.com/energy](https://www.te.com/energy)

© 2021 TE Connectivity. All Rights Reserved. EPP-3786-4/21

TE, TE Connectivity, TE connectivity (logo), EVERY CONNECTION COUNTS are trademarks owned or licensed by TE Connectivity. Other logos, product and company names mentioned herein may be trademarks of their respective owners. While TE has made every reasonable effort to ensure the accuracy of the information in this brochure, TE does not guarantee that it is error-free, nor does TE make any other representation, warranty or guarantee that the information is accurate, correct, reliable or current. TE reserves the right to make any adjustments to the information contained herein at any time without notice. TE Connectivity's obligations shall only be as set forth in TE Connectivity's Standard Terms and Conditions of Sale for this product and in no case will TE Connectivity be liable for any incidental, indirect or consequential damages arising out of the sale, resale, use or misuse of the product. TE expressly disclaims all implied warranties regarding the information contained herein, including, but not limited to, any implied warranties of merchantability or fitness for a particular purpose. The dimensions, specifications, and/or information contained herein are for reference purposes only and are subject to change without notice. Consult TE for the latest dimensions, specifications, and/or information. Users of TE Connectivity products should make their own evaluation to determine the suitability of each such product for the specific application.

Connect with us:

[TE.com/energy-contact](https://www.te.com/energy-contact)