



MODEL XL4D CURRENT TRANSFORMERS

KEY FEATURES

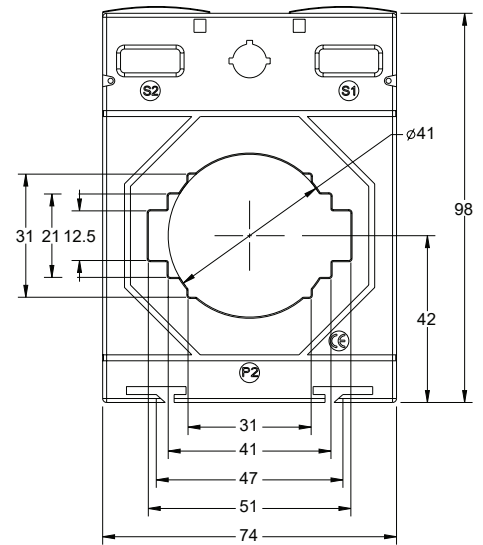
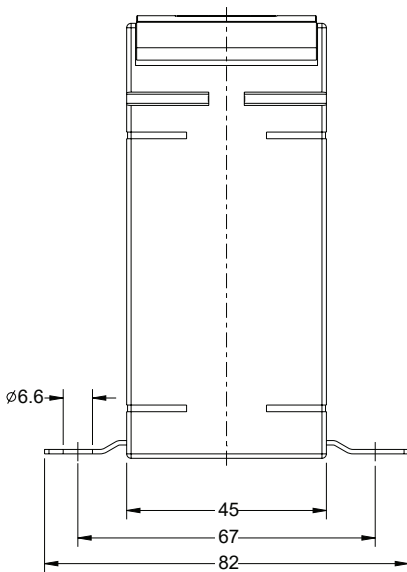
- Frequency 50/60 Hz
- Insulation class E (120°C maximum)
- Flame retardant case classified UL94V-0
- System voltage 720V max
- Cost-effective moulded case
- 1A secondary available
- Feet mounting
- Rated continuous thermal current 1.2 x in
- Hinged terminal covers
- IEC 61869-2 compliant

TE Connectivity's (TE) Crompton Instruments Model XL4D is part of the Ebony Excel range of current transformers that offers wide system current ratings, apertures, busbar and case sizes to suit numerous applications. Manufactured to meet IEC 61869-2, the range benefits include ratio rating from 1/5 to 6000/5, a comprehensive range of class accuracies, hinged wire sealable terminal covers for safety and multiple mounting options.

The toroidal core and secondary winding are encapsulated with UL94V-0 approved polycarbonate, in a moulded case providing excellent mechanical strength and electrical insulation.

Customers can count on consistent, high quality products, driven by TE's proven innovation and backed by our extraordinary customer support.

Model XL4D Current Transformers



XL4D RANGE

Model Type	Primary Current
XL4D-100/5A	100A
XL4D-120/5A	120A
XL4D-125/5A	125A
XL4D-150/5A	150A
XL4D-200/5A	200A
XL4D-250/5A	250A
XL4D-300/5A	300A
XL4D-400/5A	400A
XL4D-500/5A	500A
XL4D-600/5A	600A
XL4D-750/5A	750A
XL4D-800/5A	800A
XL4D-1000/5A	1000A

ACCURACY

Class 3	Class 1	Class 0.5
2VA	1.5VA	-
2.5VA	1.5VA	-
2.5VA	1.5VA	-
3.75VA	2.5VA	-
5VA	3.75VA	1.5VA
7.5VA	5VA	2.5VA
7.5VA	7.5VA	5VA
10VA	7.5VA	5VA
12.5VA	10VA	7.5VA
15VA	12.5VA	10VA
20VA	15VA	12.5VA
20VA	15VA	12.5VA
20VA	15VA	12.5VA

SECURITY FACTOR (ISF)

Class 3	Class 1	Class 0.5
FS5	FS5	-
FS5	FS5	-
FS5	FS5	-
FS5	FS5	-
FS5	FS5	FS5
FS5	FS5	FS5
FS5	FS5	FS5
FS5	FS5	FS5
FS5	FS5	FS5
FS5	FS5	FS5
FS5	FS5	FS5
FS5	FS5	FS5
FS5	FS5	FS5
FS5	FS5	FS5

Case size: 74 mm wide x 45 mm deep x 98 mm high

Aperture: 51 x 12.5 mm - 41 x 21 mm - 31 x 31 mm - Ø 41 mm

Primary Rating: 100 - 1000A

Secondary Rating: 5A as below, 1A ratio's available change part number to end in 1A e.g. XL4D-100/1A

te.com/energy

© 2021 TE Connectivity. All Rights Reserved. EPP-3760-DDS-03/21-EN

TE Connectivity, TE connectivity (logo), EVERY CONNECTION COUNTS, AMP, AMPACT, Bowthorpe EMP, Crompton Instruments, Raychem, SIMEL, UTILUX are trademarks. Other logos, product and Company names mentioned herein may be trademarks of their respective owners. While TE has made every reasonable effort to ensure the accuracy of the information in this brochure, TE does not guarantee that it is error-free, nor does TE make any other representation, warranty or guarantee that the information is accurate, correct, reliable or current. TE reserves the right to make any adjustments to the information contained herein at any time without notice. TE expressly disclaims all implied warranties regarding the information contained herein, including, but not limited to, any implied warranties of merchantability or fitness for a particular purpose. The dimensions in this brochure are for reference purposes only and are subject to change without notice. Specifications are subject to change without notice. Consult TE for the latest dimensions and design specifications.

FOR MORE INFORMATION: TE Technical Support Centers

USA/Canada:	+1 800-327-6996
Brazil:	+55 11-2103-6023
Mexico:	+52 55-1106-0800
South America:	+57 1-319-8962
Benelux:	+32 16-508-695
France:	+33 (0) 38-058-3210
Germany/Switzerland:	+49 (0) 89-608-9903
Italy:	+39 335-834-3453
Middle East/Africa:	+971 4-211-7020
Russia:	+7 495-790-790-2-200
Spain/Portugal:	+34 912-681-885
UK:	+44 08708-707-500
China:	+86 400-820-6015