

1SNK900205R0000 ✓ ACTIVE

ENTRELEC

TE Internal #: 1SNK900205R0000

Terminal Block & Strip Conducting Accessories, Test Adapter, Plug-In Mount Retention, Dark Gray, Product Spacing .299 in [7.6 mm]

[View on TE.com >](#)



Connectors > Terminal Blocks & Strips > Terminal Block & Strip Accessories > Terminal Block & Strip Conducting Accessories



Conducting Accessory Type: **Test Adapter**

PCB Mount Retention Type: **Plug-In**

Primary Product Color: **Dark Gray**

Product Spacing: **7.6 mm [.299 in]**

Contact Current Rating (Max): **16 A**

Features

Product Type Features

Conducting Accessory Type	Test Adapter
---------------------------	--------------

Electrical Characteristics

Operating Voltage Rating (UL & CSA) (Max) - Main Circuit	600 V
Impulse Withstanding Voltage Rating (IEC)	8000 V
Voltage Rating (CSA)	600 V
Dielectric Test Voltage	2200 V
Voltage Rating (IEC)	1000 V
Current Rating (IEC)	16 A

Body Features

Plastic & Resin Material Type	Polyamide
Product Weight	2.4 g [.085 oz]
Primary Product Color	Dark Gray

Contact Features

Contact Current Rating (Max)	16 A
------------------------------	------

Mechanical Attachment

PCB Mount Retention Type	Plug-In
--------------------------	---------

Dimensions

--	--

Product Depth	56.63 mm[2.23 in]
Product Width	7.6 mm[.299 in]
Product Height	7.6 mm[.299 in]
Product Spacing	7.6 mm[.299 in]

Usage Conditions

Storage Temperature Range	-55 – 110 °C[-67 – 230 °F]
Installation Temperature Range	-5 – 40 °C[23 – 104 °F]
Operating Temperature Range	-55 – 110 °C[-67 – 230 °F]

Industry Standards

IP Rating	IP20
-----------	------

Product Compliance

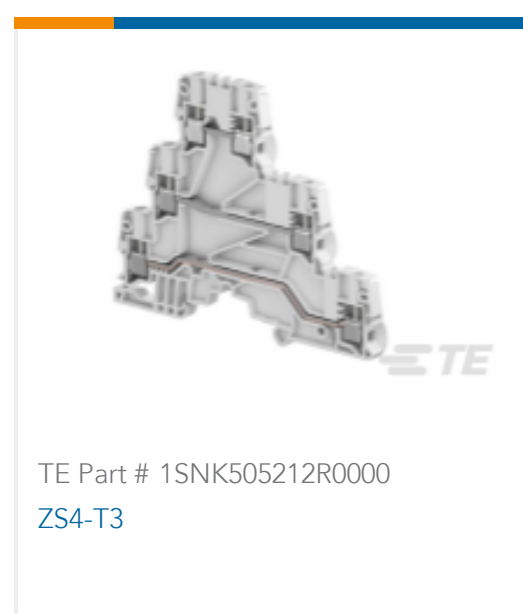
[For compliance documentation, visit the product page on TE.com>](#)

EU RoHS Directive 2011/65/EU	Compliant
EU ELV Directive 2000/53/EC	Compliant
China RoHS 2 Directive MIIT Order No 32, 2016	No Restricted Materials Above Threshold
EU REACH Regulation (EC) No. 1907/2006	Current ECHA Candidate List: JAN 2021 (211) Candidate List Declared Against: JAN 2021 (211) Does not contain REACH SVHC
Halogen Content	Not Yet Reviewed for halogen content
Solder Process Capability	Not reviewed for solder process capability

Product Compliance Disclaimer

This information is provided based on reasonable inquiry of our suppliers and represents our current actual knowledge based on the information they provided. This information is subject to change. The part numbers that TE has identified as EU RoHS compliant have a maximum concentration of 0.1% by weight in homogenous materials for lead, hexavalent chromium, mercury, PBB, PBDE, DBP, BBP, DEHP, DIBP, and 0.01% for cadmium, or qualify for an exemption to these limits as defined in the Annexes of Directive 2011/65/EU (RoHS2). Finished electrical and electronic equipment products will be CE marked as required by Directive 2011/65/EU. Components may not be CE marked. Additionally, the part numbers that TE has identified as EU ELV compliant have a maximum concentration of 0.1% by weight in homogenous materials for lead, hexavalent chromium, and mercury, and 0.01% for cadmium, or qualify for an exemption to these limits as defined in the Annexes of Directive 2000/53/EC (ELV). Regarding the REACH Regulation, the information TE provides on SVHC in articles for this part number is based on the latest European Chemicals Agency (ECHA) 'Guidance on requirements for substances in articles' posted at this URL: <https://echa.europa.eu/guidance-documents/guidance-on-reach>

Compatible Parts



Customers Also Bought



TE Part #EC1144-000
06183919



TE Part #1SNA115986R0000
M4/6.SNB



TE Part #1SNA117600R0300
FEDR61



TE Part #1SNA199420R2100
BADRL



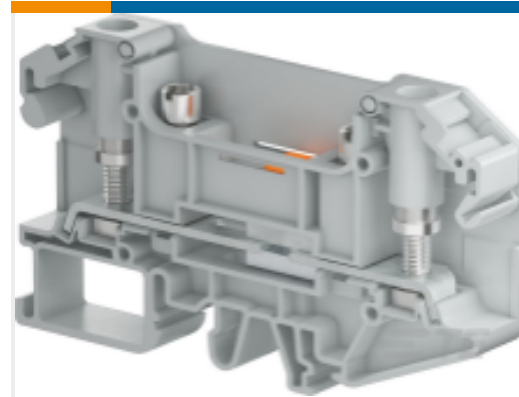
TE Part #1SNA400305R1000
D70/22



TE Part #1SNA114994R0700
FEM62



TE Part #1SNA511024R0500
RGW6-PE-V0



TE Part #1SNA512124R0000
RGW6-ST-1-V0



TE Part #1SNA519004R0100
E-RGW6-ST



TE Part #1SNA519104R0300
PC-RG6-3

Documents

CAD Files

3D PDF

3D

Customer View Model

[ENG_CVM_CVM_1SNK900205R0000_A.2d_dxf.zip](#)

English

Customer View Model

[ENG_CVM_CVM_1SNK900205R0000_A.3d_igs.zip](#)

English

Customer View Model

[ENG_CVM_CVM_1SNK900205R0000_A.3d_stp.zip](#)

English

By downloading the CAD file I accept and agree to the [Terms and Conditions](#) of use.

Datasheets & Catalog Pages

[ENTRELEC Terminal Block - Master Catalog](#)

English

TP4

English

1SNK900205R0000

Terminal Block & Strip Conducting Accessories, Test Adapter, Plug-In Mount
Retention, Dark Gray, Product Spacing .299 in [7.6 mm]



[SNK SERIES TERMINAL BLOCKS](#)

[English](#)

[ENTRELEC Terminal Blocks Catalogue \(RUS\)](#)