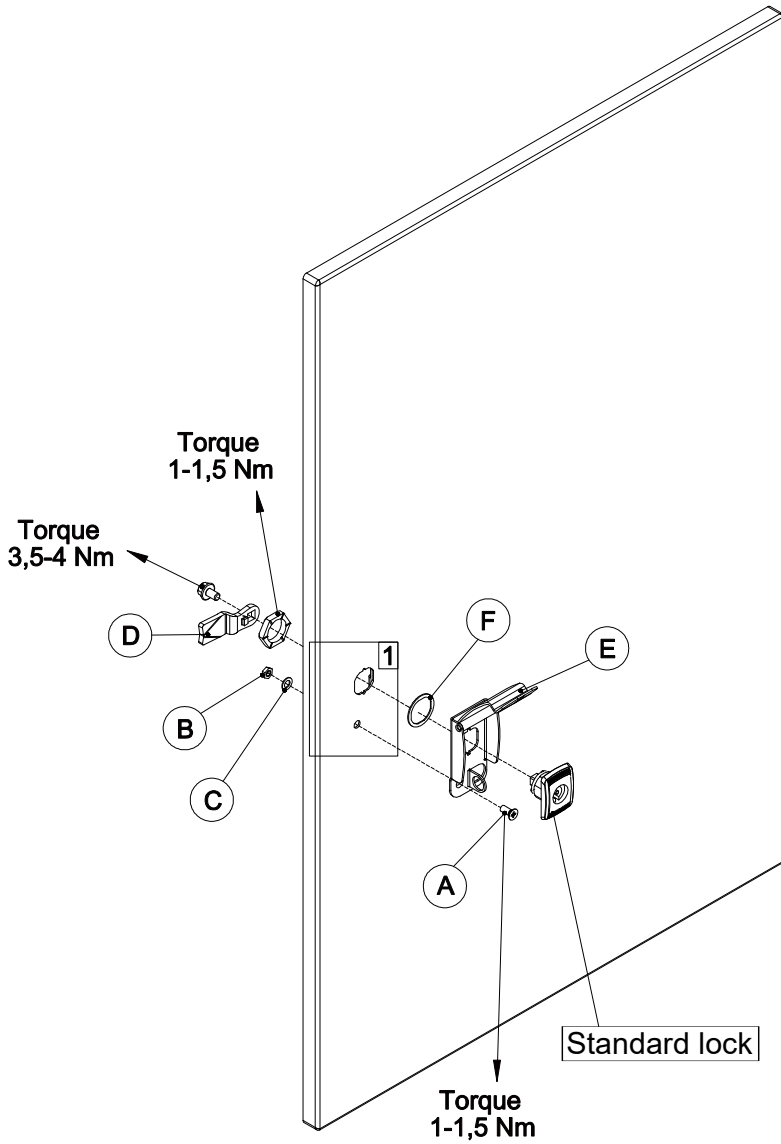
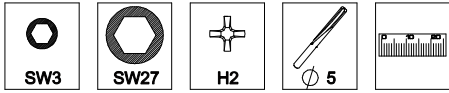
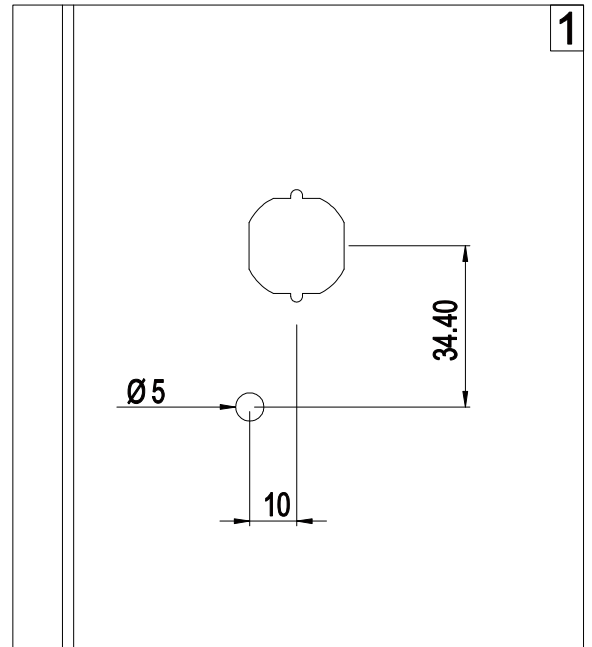


PLC



Ref.	Pic.	Qty.
A	M4x8	1
B	M4	1
C	M4 Nylon	1
D		1
E		1
F		1



Note: part D is compatible with the standard lock. For AFS or locks different than the standard lock, a cam without stopper is required."