

Miniature Circuit Breakers

DIN rail mounting

BKP type

CE 4500

CE
Certificate



BKP 1P+N

Technical data

Standard	Confirming to IEC 60898-1
Approval	CCC, SEMKO CB, CE, SABS
Protection	Overload and short circuit
Rated current	3, 6, 10, 16, 20, 25, 32A
Rated voltage	230VAC
Breaking capacity	4.5kA
Characteristic	B, C, D curve
Number of poles	1P+N
Type of trip	Thermal magnetic release
Type of terminal	Lug type
Terminal capacity	Cables up to 10mm ²
Installation	Mounting on 35mm DIN rail
Width	17.8mm per pole
Electrical endurance	4,000 operations

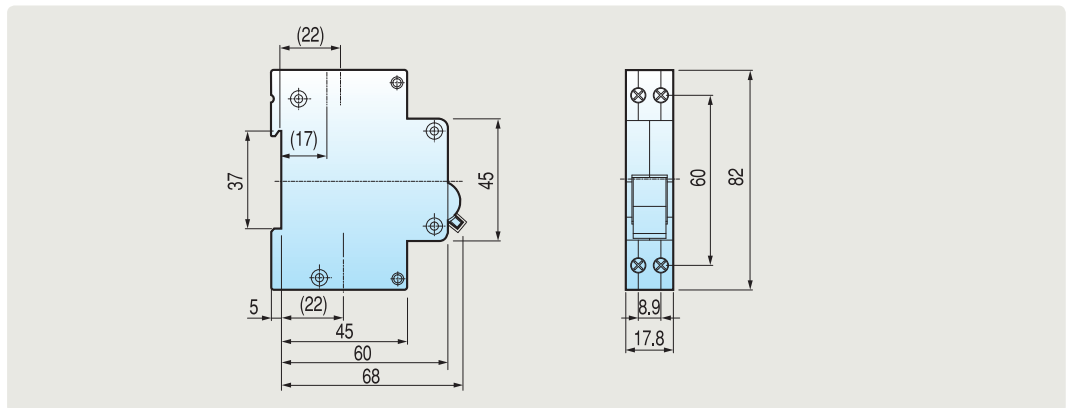
Order No.

Pole	Type	In	Model	Order No.
1P+N	B curve	3A	BKP B3A	06120302R0
		6A	BKP B6A	06120228R0
		10A	BKP B10A	06120229R0
		16A	BKP B16A	06120230R0
		20A	BKP B20A	06120231R0
		25A	BKP B25A	06120303R0
	C curve	3A	BKP C3A	06120307R0
		6A	BKP C6A	06120235R0
		10A	BKP C10A	06120236R0
		16A	BKP C16A	06120237R0
		20A	BKP C20A	06120238R0
		25A	BKP C25A	06120309R0
D curve	3A	BKP D3A	06120308R0	
	6A	BKP D6A	06120242R0	
	10A	BKP D10A	06120243R0	
	16A	BKP D16A	06120244R0	
	20A	BKP D20A	06120245R0	
	25A	BKP D25A	06120311R0	
		32A	BKP D32A	06120246R0

Overall dimensions

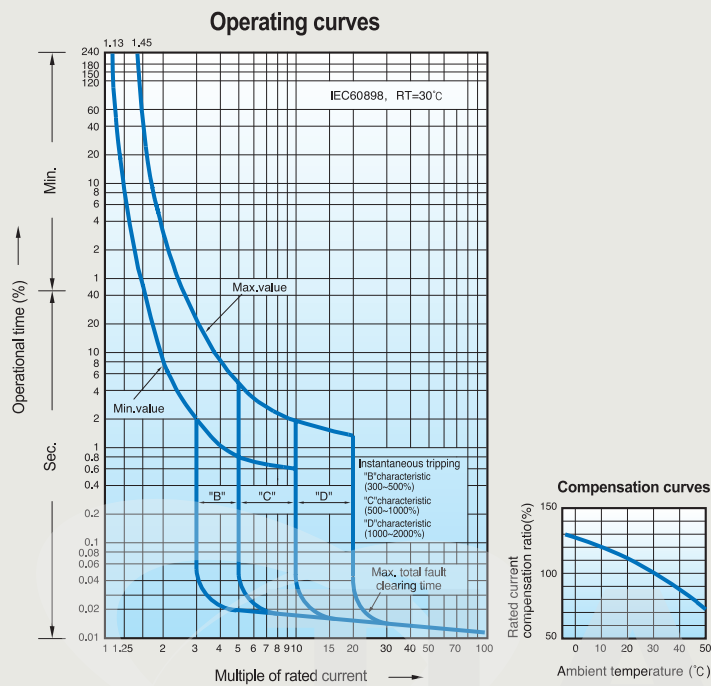
Miniature Circuit Breakers &
Residual Current Devices

BKP



Characteristics curves & temperature compensation

BKP



1.BKP
(Temperature compensation table)(IEC60 898-1)

In(A)	20 °C	25 °C	30 °C	35 °C	40 °C	45 °C	50 °C	55 °C	60 °C
1	1,05	1,02	1,0	0,98	0,95	0,93	0,9	0,88	0,85
2	2,08	2,04	2,0	1,96	1,92	1,88	1,84	1,8	1,74
3	3,18	3,09	3,0	2,91	2,82	2,7	2,61	2,49	2,37
4	4,24	4,12	4,0	3,88	3,76	3,64	3,52	3,36	3,24
6	6,24	6,12	6,0	5,88	5,76	5,64	5,52	5,4	5,3
10	10,6	10,3	10,0	9,7	9,3	9,0	8,6	8,2	7,8
16	16,8	16,5	16,0	15,5	15,2	14,7	14,2	13,8	13,3
20	21,0	20,6	20,0	19,4	19,0	18,4	17,8	17,4	16,8
25	26,2	25,7	25,0	24,2	23,7	23,0	22,2	21,5	20,7
32	33,5	32,9	32,0	31,4	30,4	29,8	28,4	28,2	27,5
40	42,0	41,2	40,0	38,8	38,0	36,8	35,6	34,4	33,2
50	52,5	51,5	50,0	48,5	47,4	45,5	44,0	42,5	40,5
63	66,2	64,9	63,0	61,0	58,0	56,7	54,2	51,7	49,2

I1: 113% In, I2: 145% In according to IEC60 898-1

everything in control

www.tlauk.net



connect it



switch it



control it



automate it



enclose it