



BKN 2P

BKN type



Technical data

Standard	Confirming to IEC 60898-1	
Approval	CCC, SABS, SEMKO CB, CE	
Protection	Against overload and short circuit	
Rated current	1, 2, 3, 4, 6, 10, 13, 16, 20, 25, 32, 40, 50, 63A	
Rated voltage	1pole 230/400VAC 50/60Hz 2, 3, 4pole 400VAC 50/60Hz	
Breaking capacity	6kA	
Characteristic	B, C, D curve	
Number of poles	1P, 1P+N, 2P, 3P, 3P+N and 4P	
Type of trip	Thermal-magnetic release	
Type of terminal	Lug type	
Terminal capacity	Cables up to 25mm ²	
Installation	Mounting on 35mm DIN rail	
Width	17.8mm per pole	
Electrical endurance	—	
In	1 ... 32A	40 ... 63A
Endurance	4,000 operations	4,000 operations
Max. frequency (Cycles/hour)	240	120

Optional accessories ... Auxiliary switch, AX



Composition	Consists of 1 changeover contact	
Rating	AC circuit 6A at 240VAC 3A at 415VAC	DC circuit 2A at 48VDC 1A at 125VDC
Type of terminal	Lug type	
Terminal capacity	Cables up to 2.5mm ²	
Width	9mm	

Optional accessories ... Auxiliary switch, AL

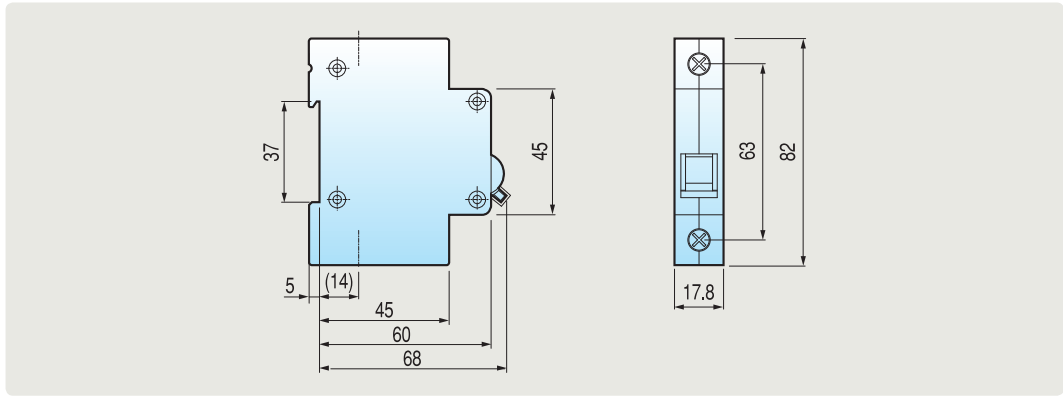


Composition	Consists of 1 changeover contact	
Rating	AC circuit 6A at 230VAC 3A at 415VAC	DC circuit 2A at 48VDC 1A at 125VDC
Type of terminal	Lug type	
Terminal capacity	Cables up to 2.5mm ²	
Width	9mm	

Attach to the left side of BKN. Possible to attach only one AX or AL.

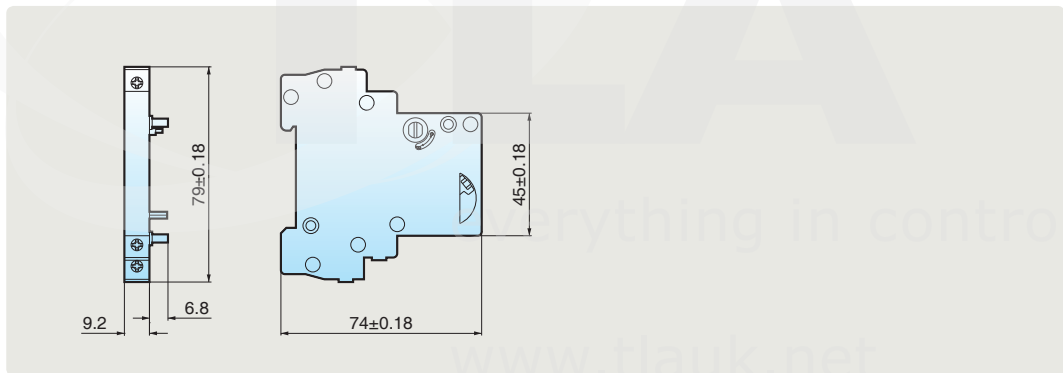
Overall dimensions

BKN



BKN

AX/AL



connect it



switch it



control it



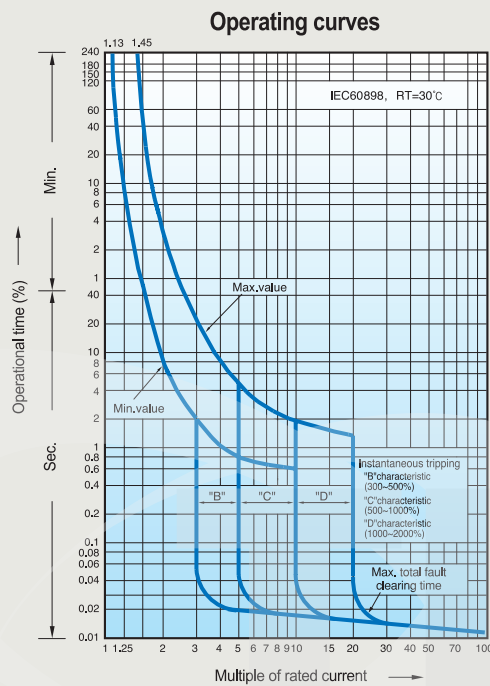
automate it



enclose it

Characteristics curves & temperature compensation

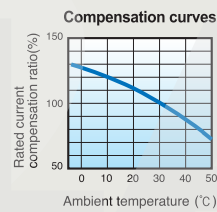
BKN



1.BKN
(Temperature compensation table)(IEC60 898-1)

In(A)	20 °C	25 °C	30 °C	35 °C	40 °C	45 °C	50 °C	55 °C	60 °C
1	1,05	1,02	1,0	0,98	0,95	0,93	0,9	0,88	0,85
2	2,08	2,04	2,0	1,96	1,92	1,88	1,84	1,8	1,74
3	3,18	3,09	3,0	2,91	2,82	2,7	2,61	2,49	2,37
4	4,24	4,12	4,0	3,88	3,76	3,64	3,52	3,36	3,24
6	6,24	6,12	6,0	5,88	5,76	5,64	5,52	5,4	5,3
10	10,6	10,3	10,0	9,7	9,3	9,0	8,6	8,2	7,8
16	16,8	16,5	16,0	15,5	15,2	14,7	14,2	13,8	13,3
20	21,0	20,6	20,0	19,4	19,0	18,4	17,8	17,4	16,8
25	26,2	25,7	25,0	24,2	23,7	23,0	22,2	21,5	20,7
32	33,5	32,9	32,0	31,4	30,4	29,8	28,4	28,2	27,5
40	42,0	41,2	40,0	38,8	38,0	36,8	35,6	34,4	33,2
50	52,5	51,5	50,0	48,5	47,4	45,5	44,0	42,5	40,5
63	66,2	64,9	63,0	61,0	58,0	56,7	54,2	51,7	49,2

I1: 113% In, I2: 145% In according to IEC60 898-1



everything in control

www.tlauk.net



connect it



switch it



control it



automate it



enclose it