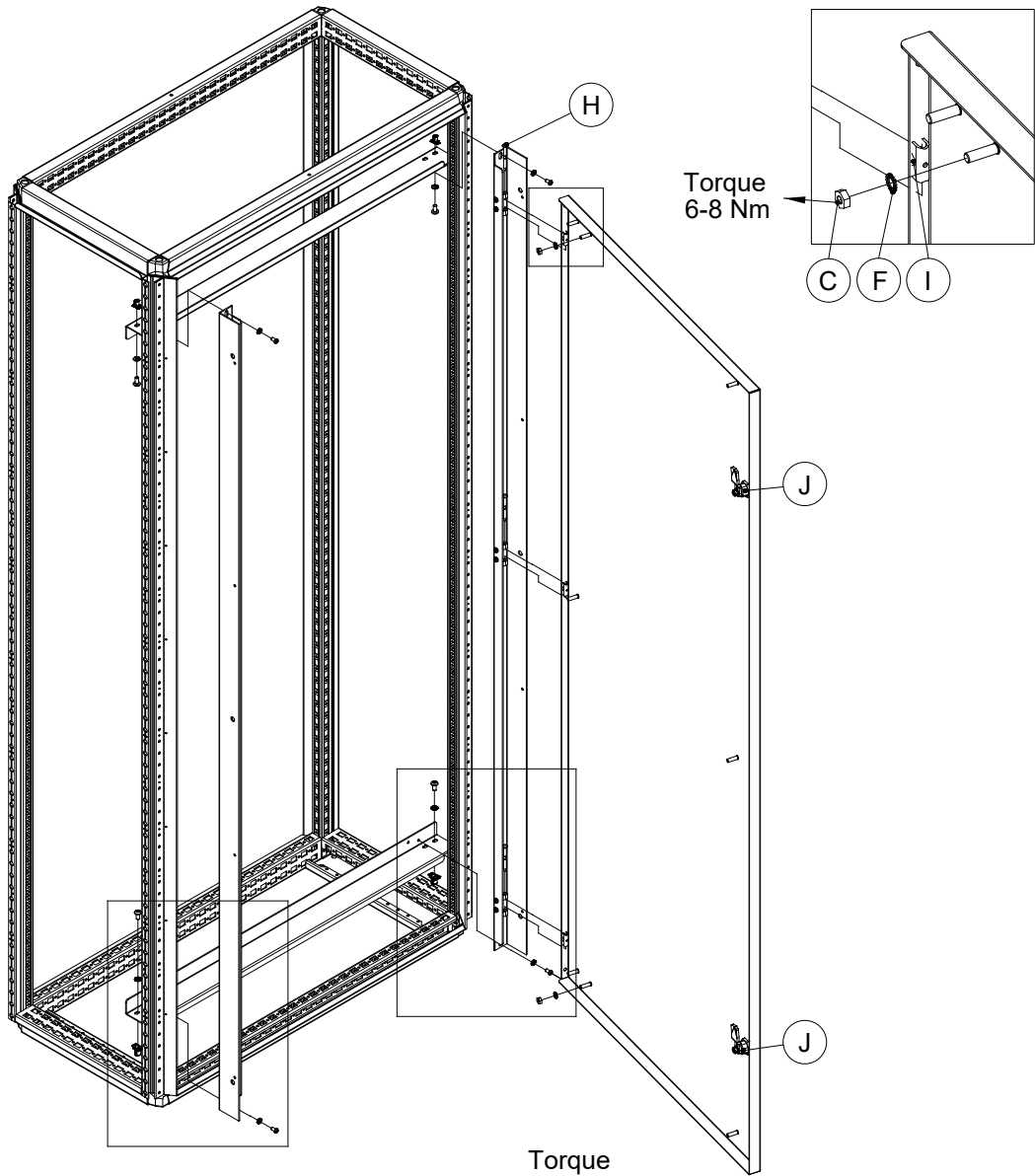


# DI



Ref.	Pic.	Qty.
A		4
B		8
C		2
D		4
E		8
F		2
G		8
H		3
I		3
J		2
K		2

