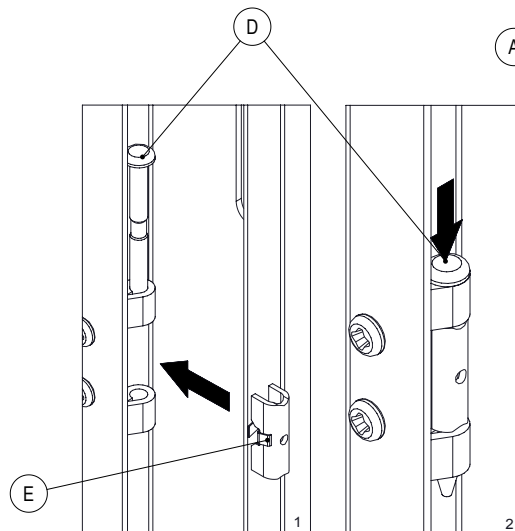
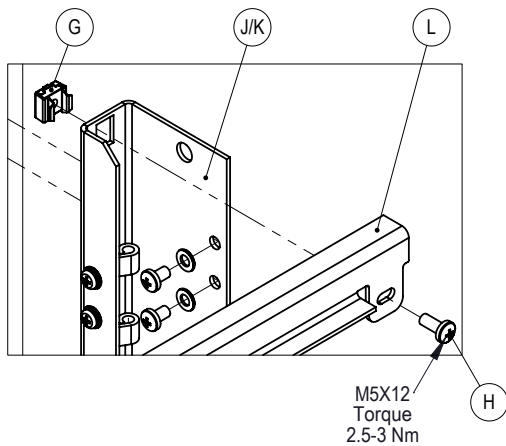
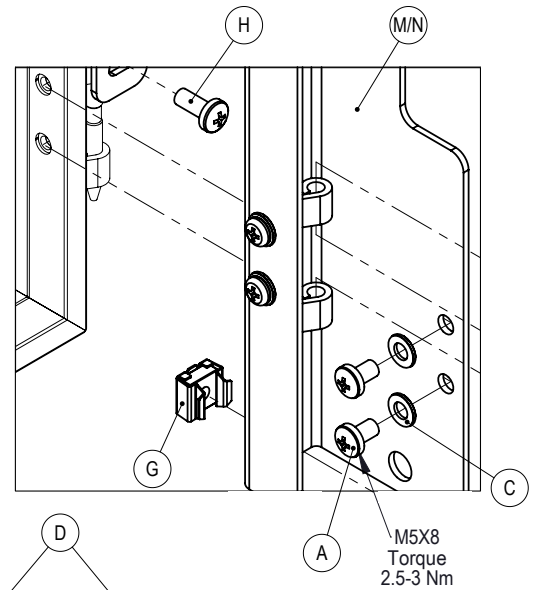
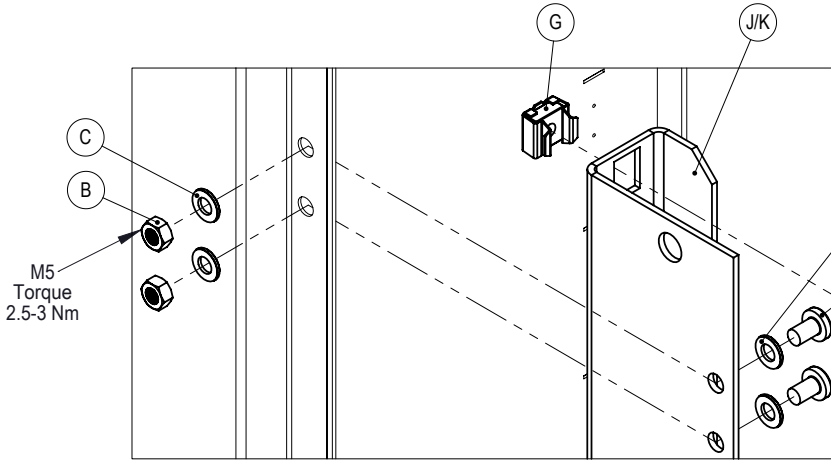
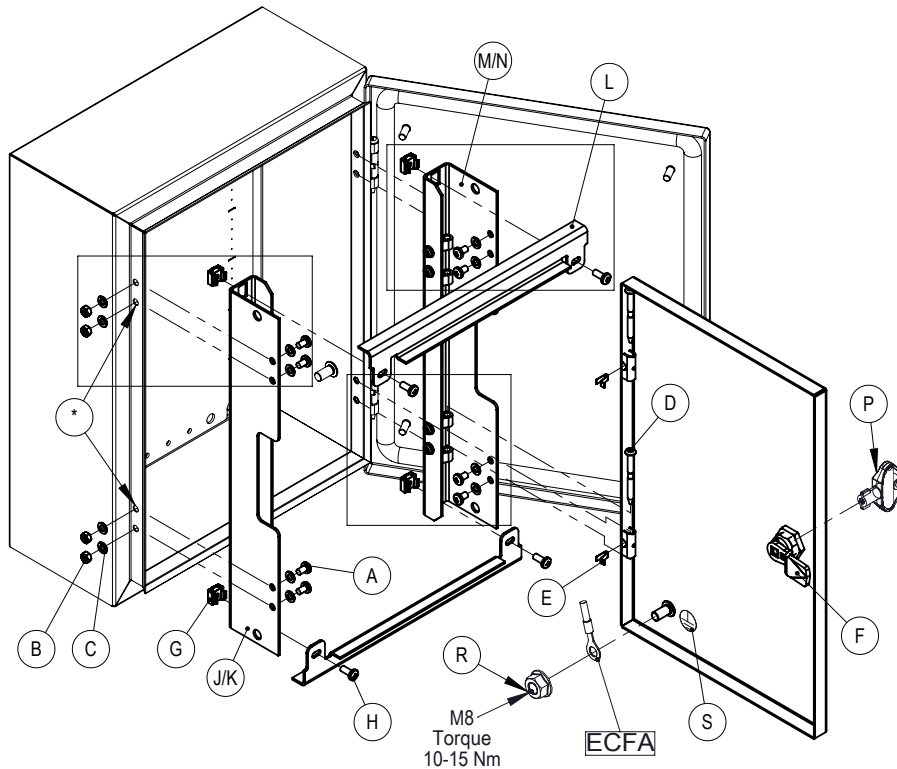


# ADI/ADIS

Ref.	Picture	ADI			ADIS		
		400 500	600 700 800	1000 1200	400 500	600 800	1000 1200
A		8	8	8	8	8	8
B		4	4	4	4	4	4
C		12	12	12	12	12	12
D		2	2	3	2	2	3
E		2	2	3	2	2	3
F		1	2	2	1	2	2
G		4	4	4	4	4	4
H		4	4	4	4	4	4
J		1	-	1	1	-	1
K		-	1	-	-	1	-
L		2	2	2	2	2	2
M		1	-	1	1	-	1
N		-	1	-	-	1	-
P		1	1	1	1	1	1
R		1	1	1	1	1	1
S		1	1	1	1	1	1



\* - Machining is required for stainless steel enclosures only.