

# 1SNA125490R1500 ✓ ACTIVE

TE Internal #: 1SNA125490R1500

Modular Terminal Blocks, Feed-Through, Screw Clamp Terminal Block, 12AWG Rated Cross Section, 2.5mm<sup>2</sup> Rated Cross Section, Blue

[View on TE.com >](#)



Connectors > Terminal Blocks & Strips > Modular Terminal Blocks



Block Function: **Feed-Through**

Modular Terminal Block Product Type: **Screw Clamp Terminal Block**

Rated Cross Section: **2.5 mm<sup>2</sup>**

Primary Product Color: **Blue**

## Features

### Product Type Features

Modular Terminal Block Product Type	Screw Clamp Terminal Block
-------------------------------------	----------------------------

### Configuration Features

Gauge Type	A3
Number of Levels	2
Number of Poles	4
Number of Circuits	2
Block Function	Feed-Through
Number of Positions	2

### Electrical Characteristics

Operating Voltage Rating (UL & CSA) (Max) - Main Circuit	300 V
Impulse Withstanding Voltage Rating (IEC)	8000 V
Voltage Rating (CSA)	300 V
Current Rating (CSA)	25 A
Dielectric Test Voltage	2500 V
Short-Time Withstanding Current Rating @ 1s	300 A
Voltage Rating (IEC)	630 V
Current Rating (UL)	20 A
Current Rating (IEC)	24 A
Voltage Rating	630 VAC

### Body Features

Product Weight	15 g[.529 oz]
Primary Product Color	Blue

### Termination Features

Termination Method to Wire & Cable	Screw Terminal
------------------------------------	----------------

### Mechanical Attachment

DIN Rail Mounting Type	G32, TH35-15, TH35-7.5
Tightening Torque	3.5 in-lbs
Connector Mounting Type	DIN Rail

### Housing Features

Housing Material	Polyamide 6.6
------------------	---------------

### Dimensions

Main Circuit Capacity - 1 Rigid Stranded Conductor per Screw Clamp	.2 – 4 mm <sup>2</sup>
Wire Stripping Length	9 mm[.354 in]
Main Circuit Capacity - 1 Flexible Conductor per Spring Clamp	.22 – 2.5 mm <sup>2</sup>
Tool Size	3.5 mm[.138 in]
Product Depth	52 mm
Product Width	5 mm[.196 in]
Product Length	52 mm
Product Height	65.5 mm
Rated Cross Section	2.5 mm <sup>2</sup>
Product Spacing	5 mm[.196 in]
Wire Size	2.5 mm <sup>2</sup>

### Usage Conditions

Storage Temperature Range	-55 – 110 °C[-67 – 230 °F]
Installation Temperature Range	-5 – 40 °C[23 – 104 °F]
Operating Temperature Range	-55 – 110 °C[-67 – 230 °F]

### Operation/Application

Circuit Application	Signal
---------------------	--------

### Industry Standards

IP Rating	IP20
-----------	------



UL Flammability Rating

UL 94V-0

### Product Compliance

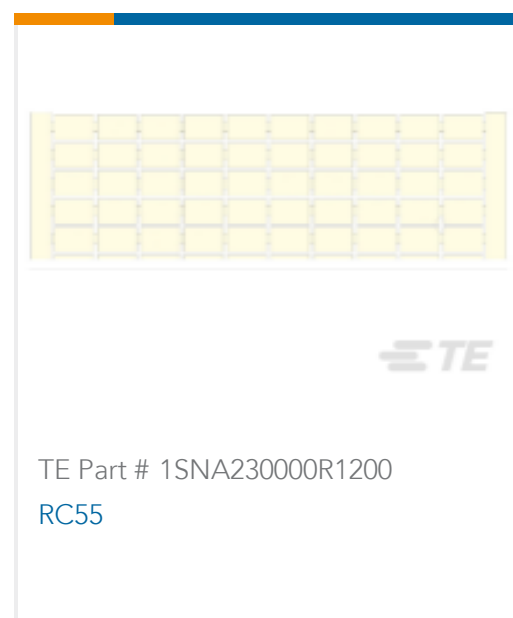
[For compliance documentation, visit the product page on TE.com>](#)


EU RoHS Directive 2011/65/EU	Compliant
EU ELV Directive 2000/53/EC	Not Yet Reviewed
China RoHS 2 Directive MIIT Order No 32, 2016	No Restricted Materials Above Threshold
EU REACH Regulation (EC) No. 1907/2006	Current ECHA Candidate List: JUL 2021 (219) Candidate List Declared Against: JUN 2020 (209) SVHC > Threshold: Not Yet Reviewed
Halogen Content	Not Yet Reviewed for halogen content
Solder Process Capability	Not reviewed for solder process capability

#### Product Compliance Disclaimer

This information is provided based on reasonable inquiry of our suppliers and represents our current actual knowledge based on the information they provided. This information is subject to change. The part numbers that TE has identified as EU RoHS compliant have a maximum concentration of 0.1% by weight in homogenous materials for lead, hexavalent chromium, mercury, PBB, PBDE, DBP, BBP, DEHP, DIBP, and 0.01% for cadmium, or qualify for an exemption to these limits as defined in the Annexes of Directive 2011/65/EU (RoHS2). Finished electrical and electronic equipment products will be CE marked as required by Directive 2011/65/EU. Components may not be CE marked. Additionally, the part numbers that TE has identified as EU ELV compliant have a maximum concentration of 0.1% by weight in homogenous materials for lead, hexavalent chromium, and mercury, and 0.01% for cadmium, or qualify for an exemption to these limits as defined in the Annexes of Directive 2000/53/EC (ELV). Regarding the REACH Regulation, the information TE provides on SVHC in articles for this part number is based on the latest European Chemicals Agency (ECHA) 'Guidance on requirements for substances in articles' posted at this URL: <https://echa.europa.eu/guidance-documents/guidance-on-reach>

### Compatible Parts



TE Part # 1SNA231000R0700  
RC510

TE Part # 1SNA007865R2600  
FC2

TE Part # 1SNA113550R2400  
EIP

TE Part # 1SNA116900R2700  
BADH

TE Part # 1SNA118499R2300  
FEM6D

TE Part # 1SNA164950R0000  
AL2

TE Part # 1SNA173530R2400  
CBM5D

TE Part # 1SNA176259R1300  
ITV5



TE Part # 1SNA176736R2100  
BJMI5D-2



TE Part # 1SNA176737R2200  
BJMI5D-3



TE Part # 1SNA176738R0300  
BJMI5D-4



TE Part # 1SNA176739R0400  
BJMI5D-5



TE Part # 1SNA176740R1100  
BJMI5D-10



TE Part # 1SNA168410R0700  
RTM7



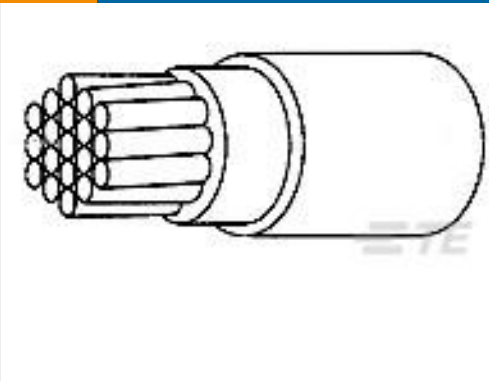
TE Part # 1SNA173058R0200  
DCV

TE Part # 1SNA176260R1000  
EV5D

### Customers Also Bought



TE Part #1-2317570-3  
AV22 DPM 3A MOVING RING R&G  
12V



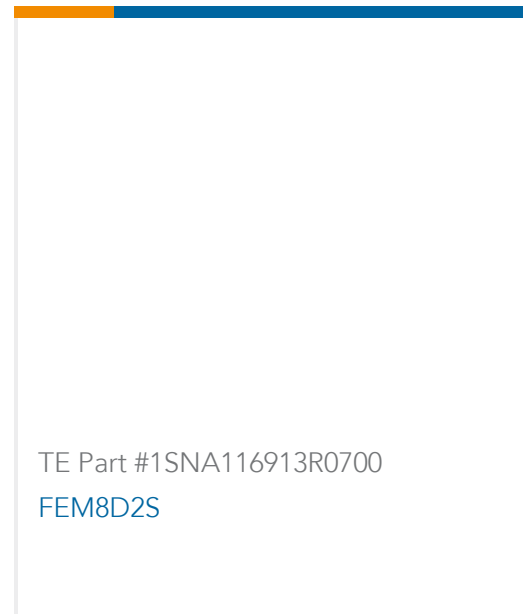
TE Part #1071313001  
100G0111-0.75-0



TE Part #1178493001  
100G0111-0.75-2



TE Part #111623-3  
016 2MM CTR 30DP FT



## Documents

### CAD Files

[3D PDF](#)

[3D](#)

[Customer View Model](#)

[ENG\\_CVM\\_CVM\\_1SNA125490R1500\\_A.2d\\_dxf.zip](#)

English

[Customer View Model](#)

[ENG\\_CVM\\_CVM\\_1SNA125490R1500\\_A.3d\\_igs.zip](#)

English

[Customer View Model](#)

[ENG\\_CVM\\_CVM\\_1SNA125490R1500\\_A.3d\\_stp.zip](#)

English

By downloading the CAD file I accept and agree to the [Terms and Conditions](#) of use.

### Datasheets & Catalog Pages

[MA2.5/5.D2.N](#)

English

[ENTRELEC Terminal Blocks Catalogue \(RUS\)](#)