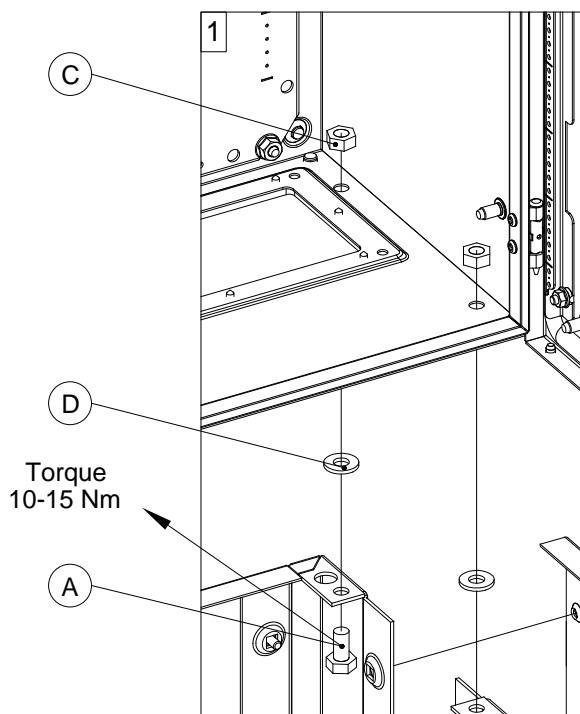
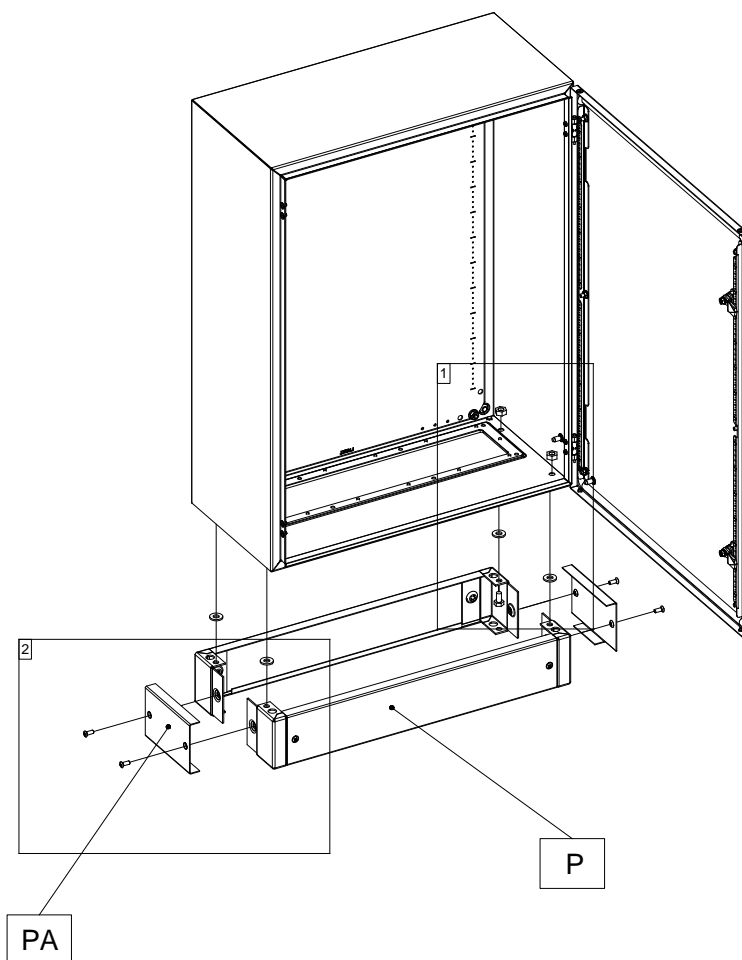
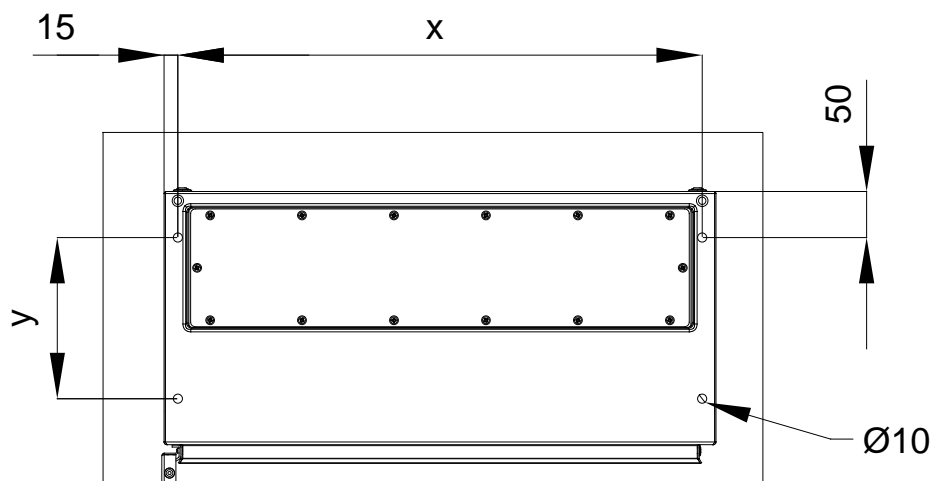
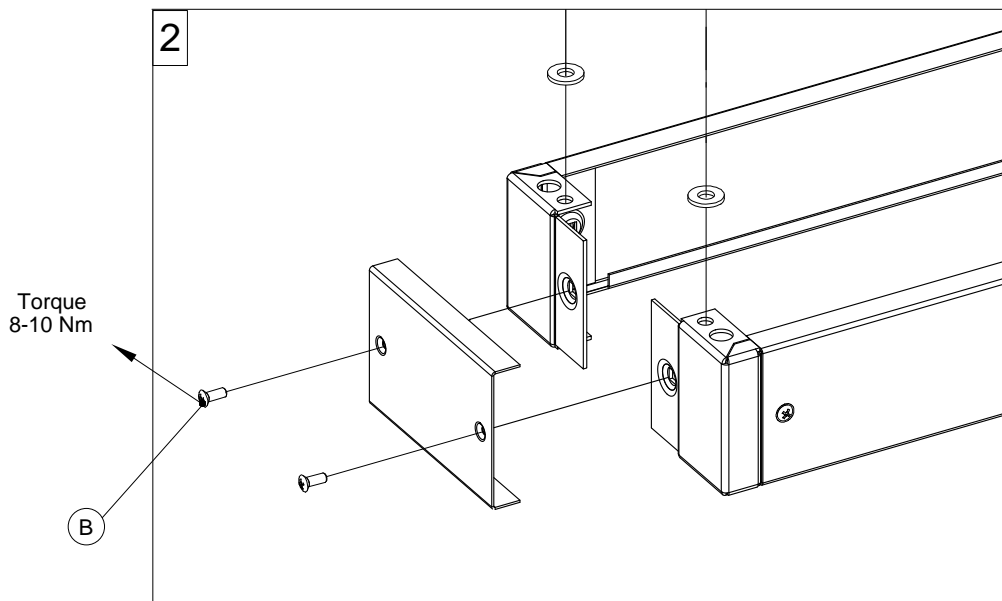


P/PA H100

Ref.	Pic.	Qty.
A		6
B		4/8
C		6
D		6



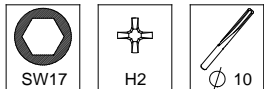
P/PA H100



Cut-out dimensions

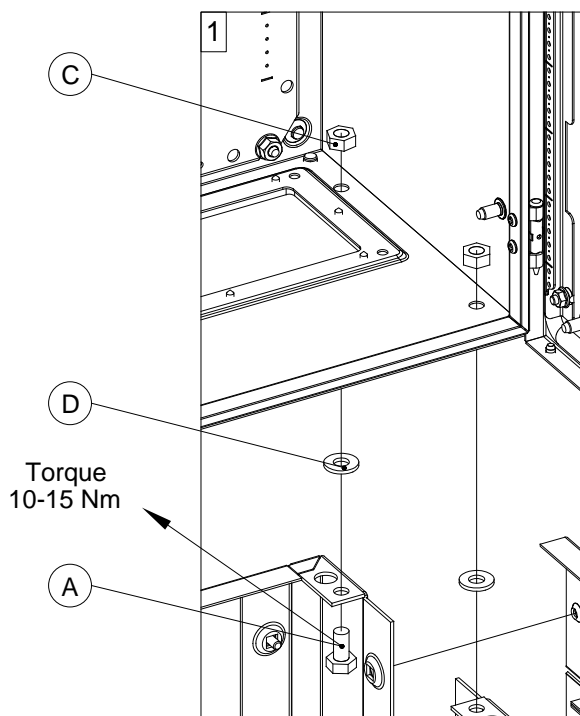
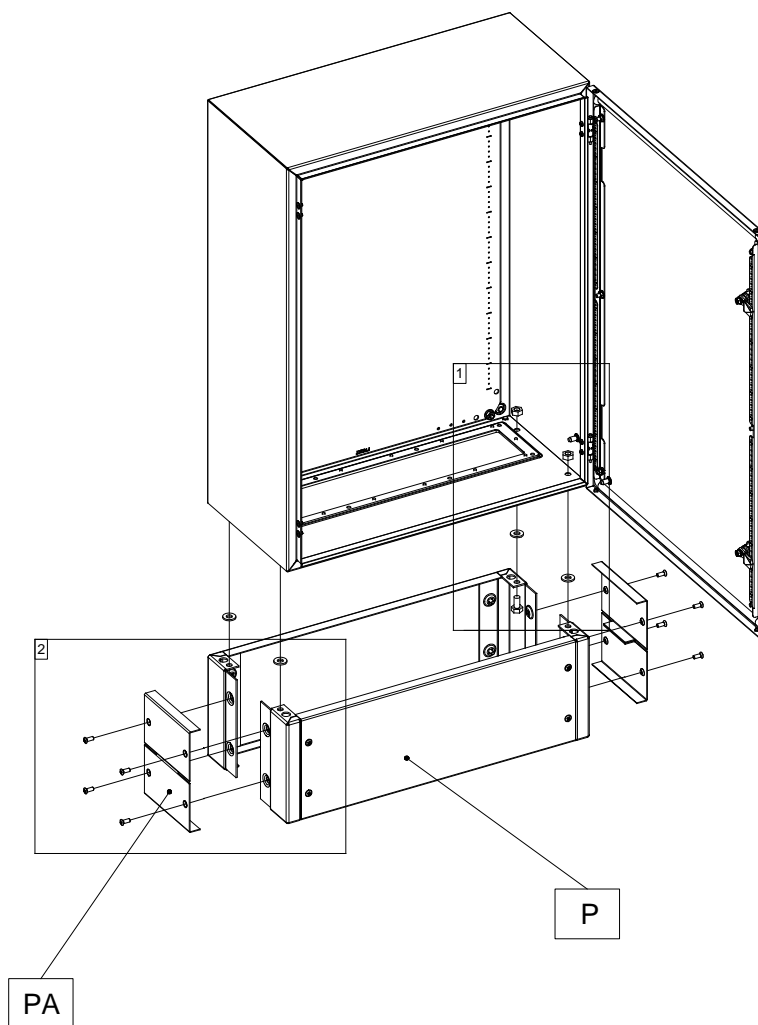
Nr. Crt.	Item	x(mm)
1.	P1040	370
2.	P1050	470
3.	P1060	570
4.	P1080	770
5.	P1100	970
6.	P1120	1170

Nr. Crt.	Item	y(mm)
1.	PA1026	136
2.	PA1030	176
3.	PA1040	276

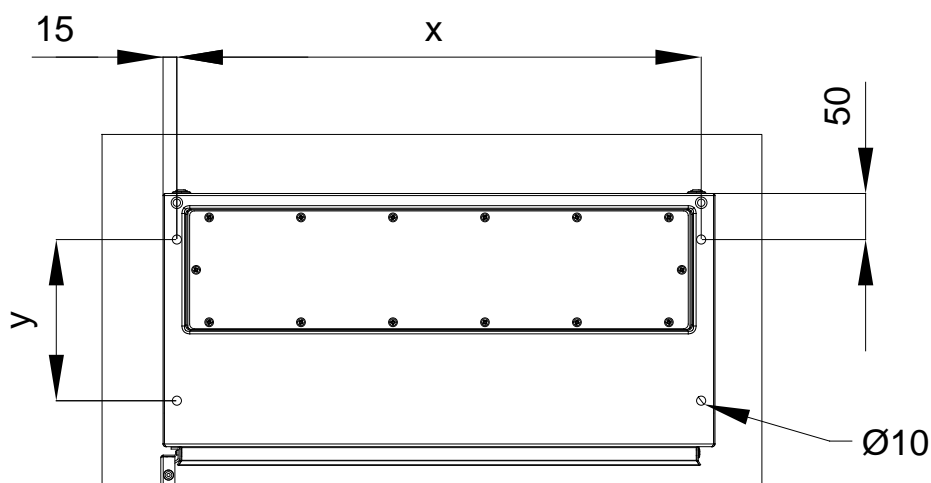
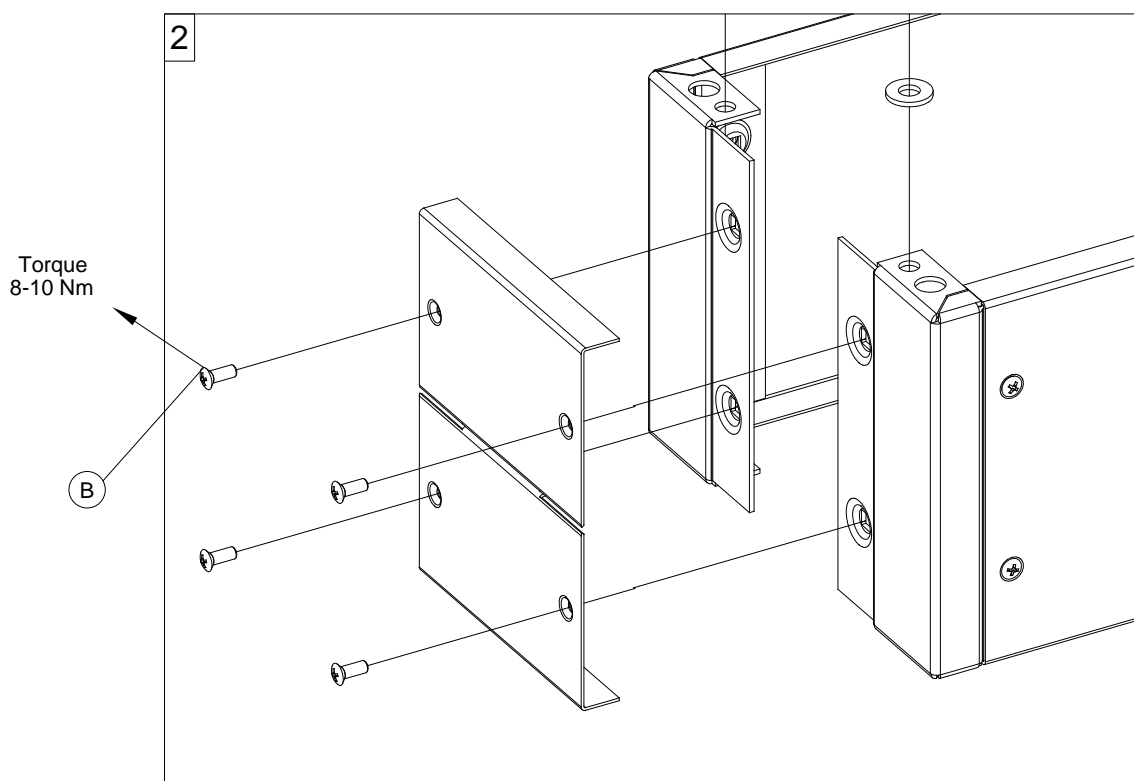


P/PA H200

Ref.	Pic.	Qty.
A		6
B		8/16
C		6
D		6



P/PA H200



Cut-out dimensions

Nr. Crt.	Item	x(mm)
1.	P2040	370
2.	P2050	470
3.	P2060	570
4.	P2080	770
5.	P2100	970
6.	P2120	1170

Nr. Crt.	Item	y(mm)
1.	PA2026	136
2.	PA2030	176
3.	PA2040	276