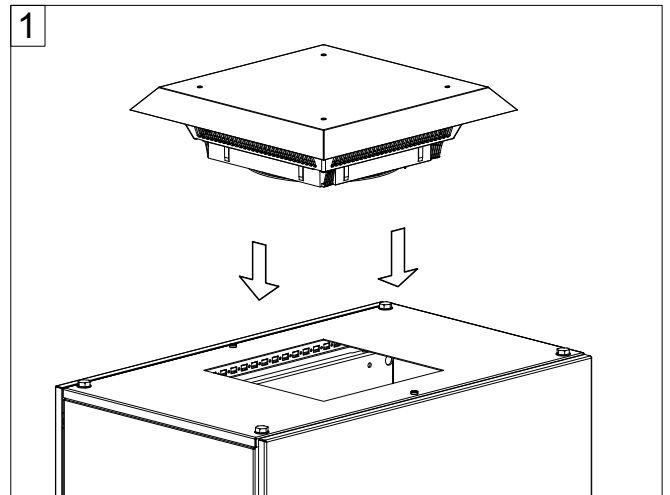
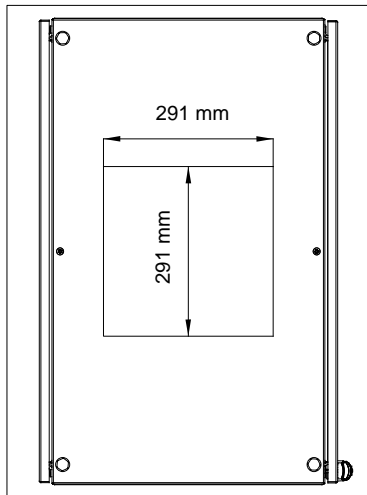
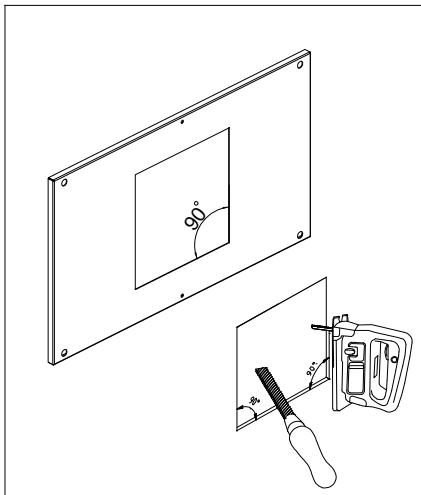
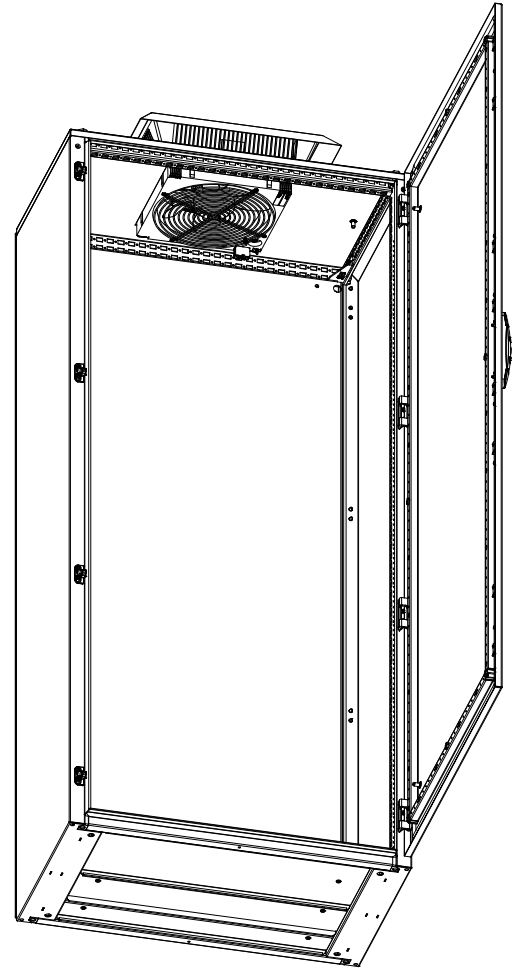
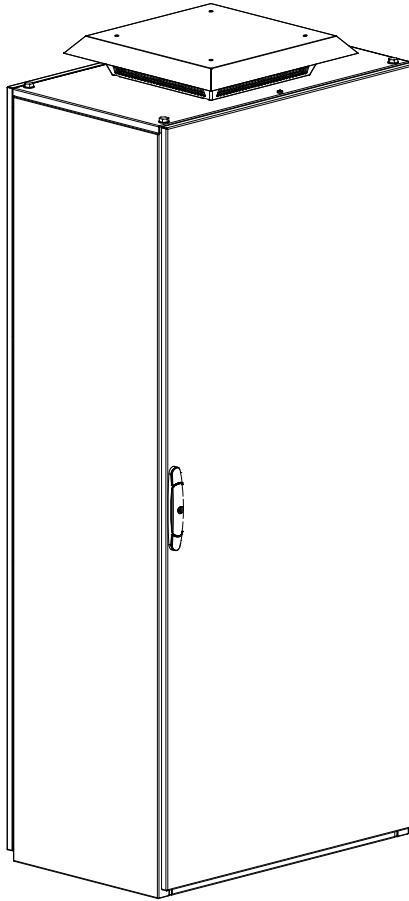
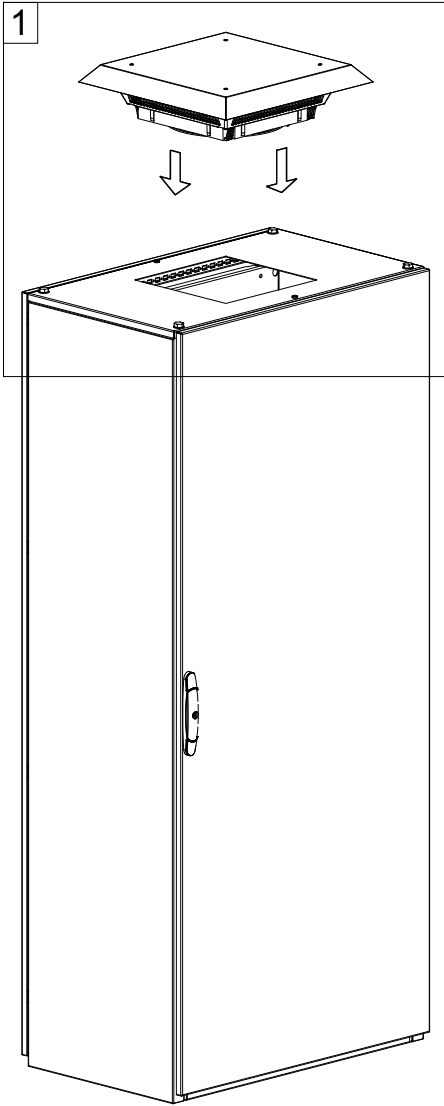


REU/RFU



	A 1 mm [inch]	B 1 = B 2 mm [inch]	C 1 mm [inch]	A = B mm [inch]
				$C \leq 2(0,08") = A \begin{matrix} +1(0,04") \\ 0 \end{matrix}$
				$C > 2(0,08") \leq 3(0,12") = A \begin{matrix} +2(0,08") \\ +1(0,04") \end{matrix}$
RFU50xxxx	130 [5.09]	436 [17.17]	72 [2.83]	291 [11.46]
REU03/REU05	106 [4.17]	436 [17.17]	72 [2.83]	291 [11.46]

