

# 1SNA115541R1100 ✓ ACTIVE

TE Internal #: 1SNA115541R1100

Modular Terminal Blocks, Feed-Through, Screw Clamp Terminal Block, 12AWG Rated Cross Section, 2.5mm<sup>2</sup> Rated Cross Section, Gray

[View on TE.com >](#)



Connectors > Terminal Blocks & Strips > Modular Terminal Blocks



Block Function: **Feed-Through**

Modular Terminal Block Product Type: **Screw Clamp Terminal Block**

Rated Cross Section: **2.5 mm<sup>2</sup>**

Primary Product Color: **Gray**

## Features

### Product Type Features

|                                     |                            |
|-------------------------------------|----------------------------|
| Modular Terminal Block Product Type | Screw Clamp Terminal Block |
|-------------------------------------|----------------------------|

### Configuration Features

|                     |              |
|---------------------|--------------|
| Gauge Type          | A2           |
| Number of Levels    | 3            |
| Number of Poles     | 6            |
| Number of Circuits  | 3            |
| Block Function      | Feed-Through |
| Number of Positions | 6            |

### Electrical Characteristics

|  |         |
|--|---------|
| Operating Voltage Rating (UL & CSA) (Max) - Main Circuit | 300 V   |
| Voltage Rating (CSA)                                     | 300 V   |
| Current Rating (CSA)                                     | 20 A    |
| Short-Time Withstanding Current Rating @ 1s              | 300 A   |
| Voltage Rating (IEC)                                     | 380 V   |
| Current Rating (UL)                                      | 26 A    |
| Current Rating (IEC)                                     | 22 A    |
| Voltage Rating   | 380 VAC |

### Body Features

|                |               |
|----------------|---------------|
| Product Weight | 13 g[.459 oz] |
|----------------|---------------|



|                       |      |
|-----------------------|------|
| Primary Product Color | Gray |
|-----------------------|------|

### Termination Features

|                                    |                |
|------------------------------------|----------------|
| Termination Method to Wire & Cable | Screw Terminal |
|------------------------------------|----------------|

### Mechanical Attachment

|                        |                        |
|------------------------|------------------------|
| DIN Rail Mounting Type | G32, TH35-15, TH35-7.5 |
|------------------------|------------------------|

|                   |            |
|-------------------|------------|
| Tightening Torque | 3.5 in-lbs |
|-------------------|------------|

|                         |          |
|-------------------------|----------|
| Connector Mounting Type | DIN Rail |
|-------------------------|----------|

### Housing Features

|                  |               |
|------------------|---------------|
| Housing Material | Polyamide 6.6 |
|------------------|---------------|

### Dimensions

|                       |                |
|-----------------------|----------------|
| Wire Stripping Length | 6 mm [.236 in] |
|-----------------------|----------------|

|   |                           |
|---|---------------------------|
| Main Circuit Capacity - 1 Flexible Conductor per Spring Clamp | .22 – 2.5 mm <sup>2</sup> |
|---|---------------------------|

|           |                  |
|-----------|------------------|
| Tool Size | 3.5 mm [.138 in] |
|-----------|------------------|

|               |         |
|---------------|---------|
| Product Depth | 43.5 mm |
|---------------|---------|

|               |                |
|---------------|----------------|
| Product Width | 6 mm [.235 in] |
|---------------|----------------|

|                |         |
|----------------|---------|
| Product Length | 43.5 mm |
|----------------|---------|

|                |       |
|----------------|-------|
| Product Height | 81 mm |
|----------------|-------|

|                     |                     |
|---------------------|---------------------|
| Rated Cross Section | 2.5 mm <sup>2</sup> |
|---------------------|---------------------|

|                 |                |
|-----------------|----------------|
| Product Spacing | 6 mm [.235 in] |
|-----------------|----------------|

|           |                     |
|-----------|---------------------|
| Wire Size | 2.5 mm <sup>2</sup> |
|-----------|---------------------|

### Usage Conditions

|                           |                             |
|---------------------------|-----------------------------|
| Storage Temperature Range | -55 – 110 °C [-67 – 230 °F] |
|---------------------------|-----------------------------|

|                                |                          |
|--------------------------------|--------------------------|
| Installation Temperature Range | -5 – 40 °C [23 – 104 °F] |
|--------------------------------|--------------------------|

|                             |                             |
|-----------------------------|-----------------------------|
| Operating Temperature Range | -55 – 110 °C [-67 – 230 °F] |
|-----------------------------|-----------------------------|

### Operation/Application

|                     |        |
|---------------------|--------|
| Circuit Application | Signal |
|---------------------|--------|

### Industry Standards

|           |      |
|-----------|------|
| IP Rating | IP20 |
|-----------|------|

|                        |          |
|------------------------|----------|
| UL Flammability Rating | UL 94V-0 |
|------------------------|----------|

### Product Compliance

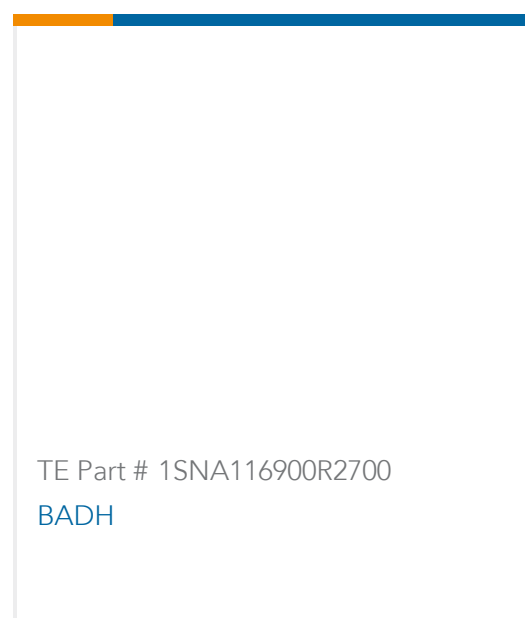
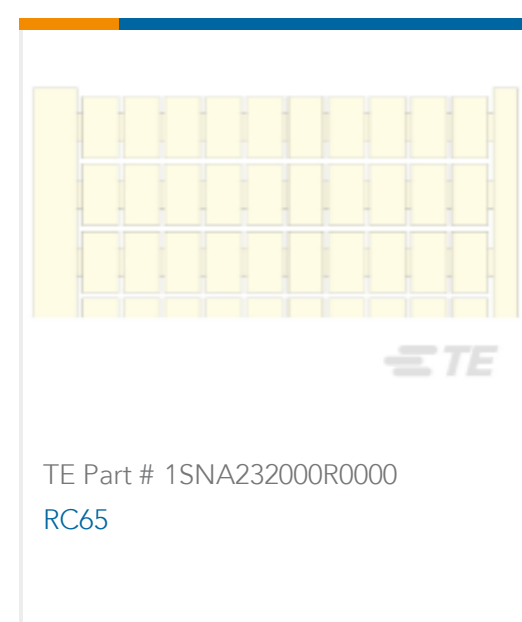
For compliance documentation, visit the product page on [TE.com](https://www.te.com)>

|   |   |
|---|---|
| EU RoHS Directive 2011/65/EU                  | Compliant   |
| EU ELV Directive 2000/53/EC                   | Not Yet Reviewed  |
| China RoHS 2 Directive MIIT Order No 32, 2016 | No Restricted Materials Above Threshold   |
| EU REACH Regulation (EC) No. 1907/2006        | Current ECHA Candidate List: JUL 2021 (219)<br>Candidate List Declared Against: JUN 2020 (209)<br>SVHC > Threshold:<br>Not Yet Reviewed |
| Halogen Content                               | Not Yet Reviewed for halogen content  |
| Solder Process Capability                     | Not reviewed for solder process capability  |

Product Compliance Disclaimer

This information is provided based on reasonable inquiry of our suppliers and represents our current actual knowledge based on the information they provided. This information is subject to change. The part numbers that TE has identified as EU RoHS compliant have a maximum concentration of 0.1% by weight in homogenous materials for lead, hexavalent chromium, mercury, PBB, PBDE, DBP, BBP, DEHP, DIBP, and 0.01% for cadmium, or qualify for an exemption to these limits as defined in the Annexes of Directive 2011/65/EU (RoHS2). Finished electrical and electronic equipment products will be CE marked as required by Directive 2011/65/EU. Components may not be CE marked. Additionally, the part numbers that TE has identified as EU ELV compliant have a maximum concentration of 0.1% by weight in homogenous materials for lead, hexavalent chromium, and mercury, and 0.01% for cadmium, or qualify for an exemption to these limits as defined in the Annexes of Directive 2000/53/EC (ELV). Regarding the REACH Regulation, the information TE provides on SVHC in articles for this part number is based on the latest European Chemicals Agency (ECHA) 'Guidance on requirements for substances in articles' posted at this URL: <https://echa.europa.eu/guidance-documents/guidance-on-reach>

## Compatible Parts





TE Part # 1SNA178026R2700  
BJD6



TE Part # 1SNA178027R2000  
BJD6



TE Part # 1SNA178032R2500  
BJD6



TE Part # 1SNA178033R2600  
BJD6

## Customers Also Bought



TE Part #HDT-04-08  
CRIMP TOOL, HDT-04-08



TE Part #1SNA114836R0000  
BAMH



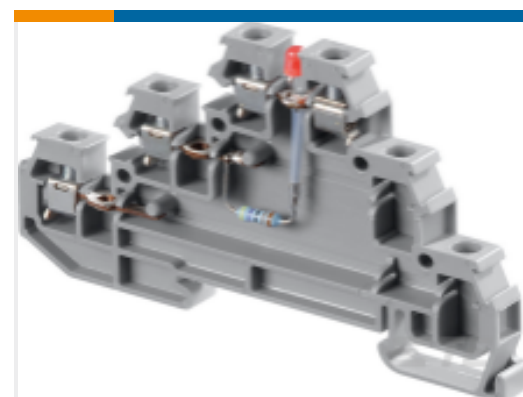
TE Part #1SNA115116R0700  
M4/6



TE Part #1SNA115271R2200  
M4/6.D2



TE Part #1SNA115490R1300  
MA2.5/5.D2



TE Part #1SNA115537R0500  
D2.5/6.DL



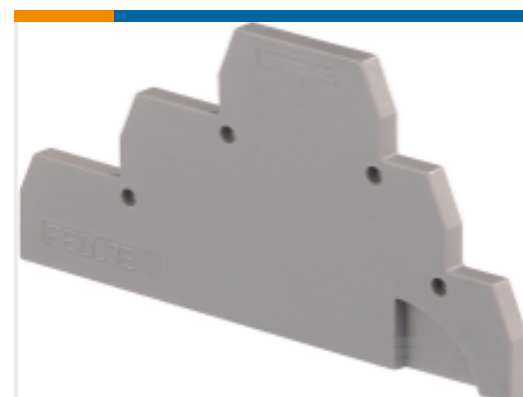
TE Part #1SNA115542R1200  
D2.5/6.D



TE Part #1SNA115547R1700  
D2.5/6.DAL2



TE Part #1SNA115604R2100  
M4/8.D2.SF



TE Part #1SNA116771R2000  
FED3E

## Documents

### CAD Files

[3D PDF](#)

[3D](#)

### Customer View Model

[ENG\\_CVM\\_CVM\\_1SNA115541R1100\\_A.2d\\_dxf.zip](#)

English

### Customer View Model

[ENG\\_CVM\\_CVM\\_1SNA115541R1100\\_A.3d\\_igs.zip](#)

English

1SNA115541R1100

Modular Terminal Blocks, Feed-Through, Screw Clamp Terminal Block, 12AWG Rated  
Cross Section, 2.5mm<sup>2</sup> Rated Cross Section, Gray



### Customer View Model

[ENG\\_CVM\\_CVM\\_1SNA115541R1100\\_A.3d\\_stp.zip](#)

English

By downloading the CAD file I accept and agree to the [Terms and Conditions](#) of use.

### Datasheets & Catalog Pages

[D2.5/6.DA](#)

English

[ENTRELEC Terminal Block - Master Catalog](#)

English

[ENTRELEC Terminal Blocks Catalogue \(RUS\)](#)