
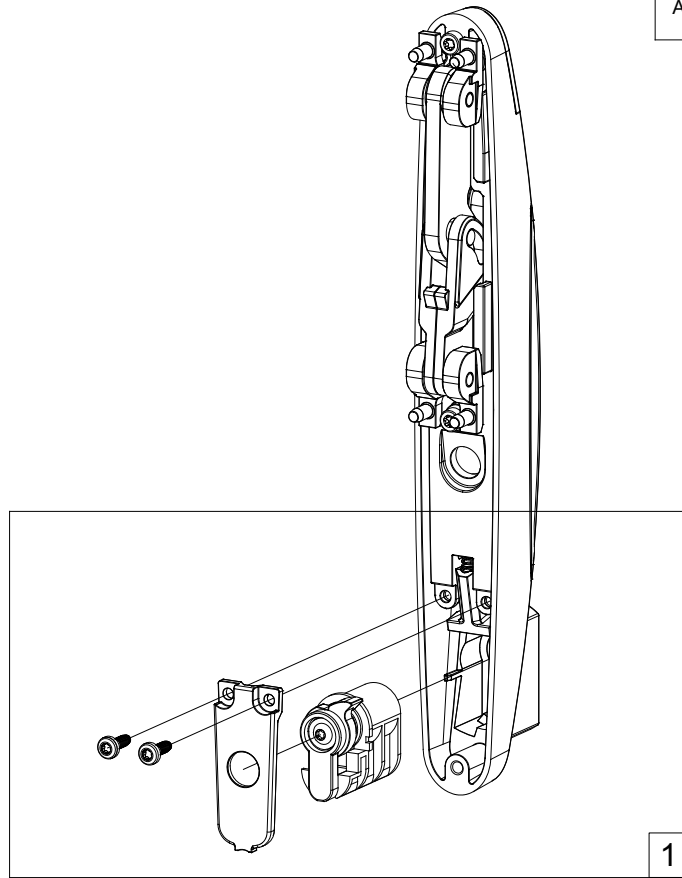
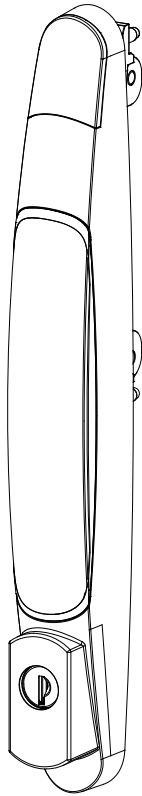




# LHC

Ref.	Pic.	Qty.
A		M4x12 2

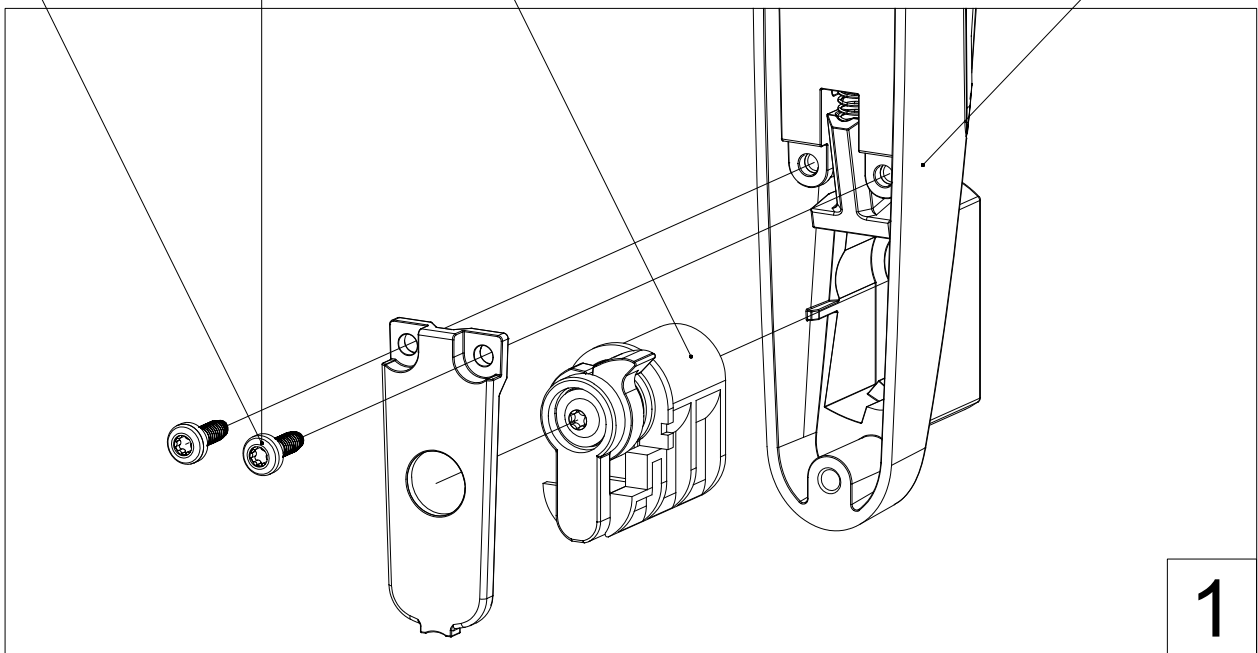


Torque  
1.5-2 Nm

A

LHC

LLH/LLHS



1