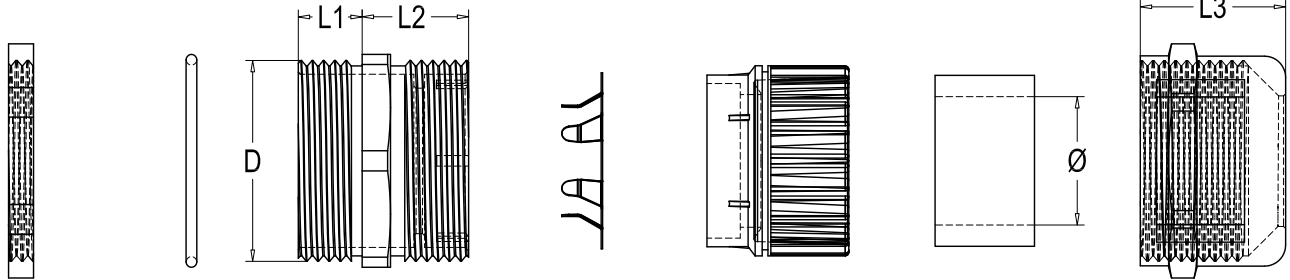
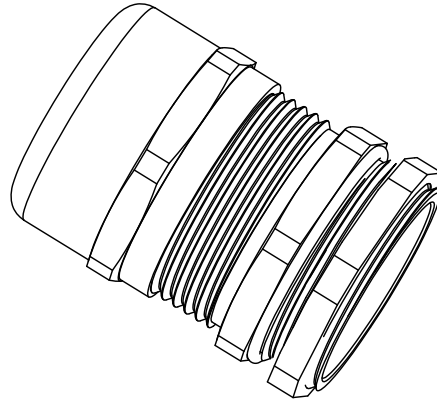


EMC



LOCKNUT

O-RING

BODY

EMC WASHER

CLAW

SEAL

SEALING NUT

A

B

C

D

E

F

G

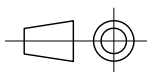
METRIC / EN50262

A.C.D.G.E.PA.B.F

EX

CE

OPERATING TEMPERATURE -40c to +105c



2013-4-8

(GB/T14486-2008 MT5)
 > 1-10±0.3 >30.01-80±0.8
 >10.01-30±0.5 >0-90°±1°

2013-4-8

A

2012

MM

2013-4-8

A-M-EMC

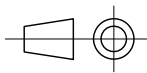


A-M-EMC GLAND



RoHS

Item No.	Thread	Cable Range Ø	Thread O.D. D1	Panel Mounting Hole	Thread Length L1	Joint Length L2+L3	Spanner size A&F	Std.Pkg. PCS
A-M12X1.5(3-6.5)EMC	M12X1.5	3-6.5	12	12-12.3	6	19	14	100PCS
A-M14X1.5(3-6.5)EMC	M14X1.5	3-6.5	14	14-14.3	6		17	
A-M14X1.5(4-8)EMC	M14X1.5	4-8	14	14-14.3	6		17	
A-M16X1.5(4-8)EMC	M16X1.5	4-8	16	16-16.3	7	20	18	
A-M16X1.5(5-10)EMC	M16X1.5	5-10	16	16-16.3	7	20	18	
A-M18X1.5(6-12)EMC	M18X1.5	6-12	18	18-18.3	7	22	19	
A-M20X1.5(6-12)EMC	M20X1.5	6-12	20	20-20.3	8	23	22	
A-M22X1.5(10-14)EMC	M22X1.5	10-14	22	22-22.3	8		24	
A-M24X1.5(10-14)EMC	M24X1.5	10-14	24	24-24.3	8		27	
A-M25X1.5(10-14)EMC	M25X1.5	10-14	25	25-25.4	9	23	27	50PCS
A-M25X1.5(10-14)EMC	M25X1.5	10-14	25	25-25.4	9	23	27	
A-M27X2.0(13-18)EMC	M27X2.0	13-18	27	27-27.4	9		30	
A-M30X2.0(13-18)EMC	M30X2.0	13-18	30	30-30.4	11		32	
A-M32X1.5(13-18)EMC	M32X1.5	13-18	32	32-32.4	11	32	34	
A-M32X1.5(15-25)EMC	M32X1.5	15-25	32	32-32.4	11	32	34	
A-M33X2.0(15-25)EMC	M33X2.0	15-25	33	33-33.4	11		36	
A-M36X2.0(15-25)EMC	M36X2.0	15-25	36	36-36.4	11		40	
A-M40X1.5(15-25)EMC	M40X1.5	15-25	40	40-40.4	11	32	42	10PCS
A-M40X1.5(22-32)EMC	M40X1.5	22-32	40	40-40.4	11	32	42	
A-M42X2.0(22-32)EMC	M42X2.0	22-32	42	42-42.4	11		45	
A-M48X2.0(22-32)EMC	M48X2.0	22-32	48	48-48.4	11		50	
A-M50X1.5(22-32)EMC	M50X1.5	22-32	50	50-50.4	11	38	55	5PCS
A-M50X1.5(30-38)EMC	M50X1.5	30-38	50	50-50.4	11	38	55	
A-M54X2.0(30-38)EMC	M54X2.0	30-38	54	54-54.4	11		60	
A-M56X2.0(30-38)EMC	M56X2.0	30-38	56	56-56.4	11		60	
A-M60X2.0(34-44)EMC	M60X2.0	34-44	60	60-60.4	14		64	
A-M63X1.5(34-44)EMC	M63X1.5	34-44	63	63-63.4	14	38	68	
A-M64X2.0(34-44)EMC	M64X2.0	34-44	64	64-64.4	14		68	
A-M12X1.5(3-6.5)EMC	M12X1.5	3-6.5	12	12-12.3	12	19	14	
A-M14X1.5(3-6.5)EMC	M14X1.5	3-6.5	14	14-14.3	12		17	
A-M14X1.5(4-8)EMC	M14X1.5	4-8	14	14-14.3	12		17	
A-M16X1.5(4-8)EMC	M16X1.5	4-8	16	16-16.3	12	20	18	
A-M16X1.5(5-10)EMC	M16X1.5	5-10	16	16-16.3	12	20	18	
A-M18X1.5(6-12)EMC	M18X1.5	6-12	18	18-18.3	12	22	19	
A-M20X1.5(6-12)EMC	M20X1.5	6-12	20	20-20.3	12	23	22	
A-M22X1.5(10-14)EMC	M22X1.5	10-14	22	22-22.3	12		24	
A-M24X1.5(10-14)EMC	M24X1.5	10-14	24	24-24.3	12		27	
A-M25X1.5(10-14)EMC	M25X1.5	10-14	25	25-25.4	13	23	27	50PCS
A-M25X1.5(10-14)EMC	M25X1.5	10-14	25	25-25.4	13	23	27	
A-M27X2.0(13-18)EMC	M27X2.0	13-18	27	27-27.4	13		30	
A-M30X2.0(13-18)EMC	M30X2.0	13-18	30	30-30.4	15		32	
A-M32X1.5(13-18)EMC	M32X1.5	13-18	32	32-32.4	15	32	34	
A-M32X1.5(15-25)EMC	M32X1.5	15-25	32	32-32.4	15	32	34	
A-M33X2.0(15-25)EMC	M33X2.0	15-25	33	33-33.4	15		36	
A-M36X2.0(15-25)EMC	M36X2.0	15-25	36	36-36.4	15		40	
A-M40X1.5(15-25)EMC	M40X1.5	15-25	40	40-40.4	15	32	42	10PCS
A-M40X1.5(22-32)EMC	M40X1.5	22-32	40	40-40.4	15	32	42	
A-M42X2.0(22-32)EMC	M42X2.0	22-32	42	42-42.4	15		45	
A-M48X2.0(22-32)EMC	M48X2.0	22-32	48	48-48.4	15		50	
A-M50X1.5(22-32)EMC	M50X1.5	22-32	50	50-50.4	15	38	55	5PCS
A-M50X1.5(30-38)EMC	M50X1.5	30-38	50	50-50.4	15	38	55	
A-M54X2.0(30-38)EMC	M54X2.0	30-38	54	54-54.4	18		60	
A-M56X2.0(30-38)EMC	M56X2.0	30-38	56	56-56.4	18		60	
A-M60X2.0(34-44)EMC	M60X2.0	34-44	60	60-60.4	18		64	
A-M63X1.5(34-44)EMC	M63X1.5	34-44	63	63-63.4	18	38	68	
A-M64X2.0(34-44)EMC	M64X2.0	34-44	64	64-64.4	18		68	



2013-4-8

PLEASE NOTE;-
NOT ALL SIZES ARE UK STOCK LINES, PLEASE ENQUIRE FOR AVAILABLESTOCK.

2013-4-8

A

2013-4-8

A-M-EMC型

2012

(GB/T14486-2008 MT5)
> 1-10±0.3 >30.01-80±0.8
>10.01-30±0.5 >0-90°±1°

MM