

Cable trunking SES with slots and base punching

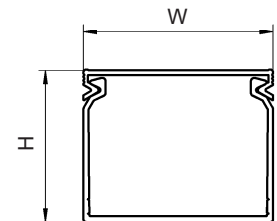
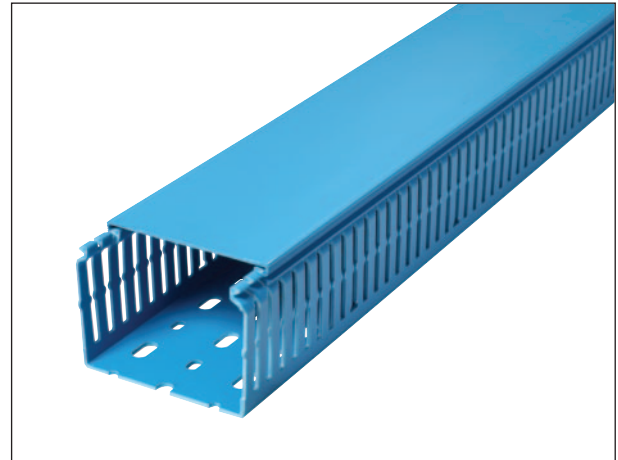




GN-A6/4

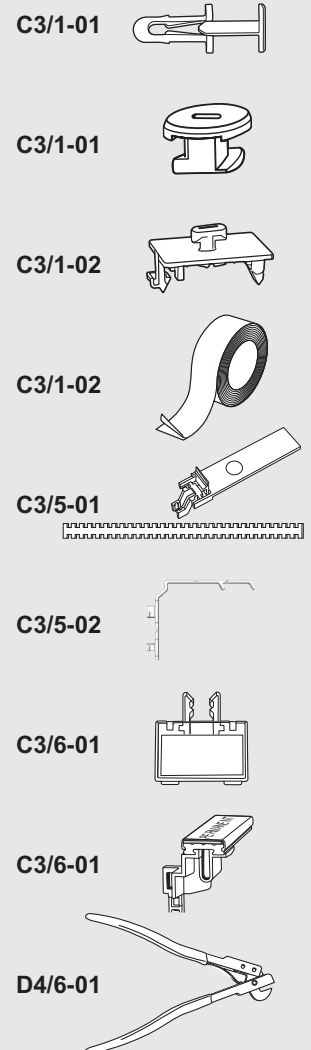


GN-A6/4 blue

Material: rigid PVC quality 9051 LF
Colour: light blue, RAL 5015
Operating temperatures: -5 to +65°C
Density: 1,54
Volume resistivity: $10^{15} \Omega \cdot \text{cm}$
Dielectric strength: 15 kV/mm
Specifications: V0 UL94
Standard length: 2 meters
Double sided adhesive: upon request
Minimum delivery: 1 complete packing (with lids)
Application: integrally safe areas.



type	trunking art. no.	 m	outside dim.		cables per trunking (filling 50%)			lids (alone)		
			H mm	W mm	1 mm ²	1,5 mm ²	2,5 mm ²	art. no.	 m	
GN-A6/4	30 x 25	0839 0131 083	60	30	25	37	31	26	0839 0500 083	48
GN-A6/4	40 x 25	0839 0141 083	48	40	25	52	43	36	0839 0500 083	48
GN-A6/4	40 x 30	0839 0146 083	36	40	30	66	54	45	0839 0505 083	24
GN-A6/4	40 x 40	0839 0142 083	32	40	40	94	77	64	0839 0510 083	24
GN-A6/4	60 x 25	0839 0151 083	48	60	25	80	66	55	0839 0500 083	48
GN-A6/4	60 x 30	0839 0157 083	40	60	30	102	83	70	0839 0505 083	24
GN-A6/4	60 x 40	0839 0152 083	32	60	40	144	118	99	0839 0510 083	24
GN-A6/4	60 x 60	0839 0153 083	24	60	60	229	188	157	0839 0520 083	24
GN-A6/4	60 x 80	0839 0154 083	16	60	80	313	257	215	0839 0530 083	24
GN-A6/4	80 x 25	0839 0161 083	24	80	25	107	88	74	0839 0500 083	48
GN-A6/4	80 x 30	0839 0167 083	24	80	30	136	112	94	0839 0505 083	24
GN-A6/4	80 x 40	0839 0162 083	24	80	40	193	159	133	0839 0510 083	24
GN-A6/4	80 x 60	0839 0163 083	24	80	60	308	253	211	0839 0520 083	24
GN-A6/4	80 x 80	0839 0164 083	16	80	80	422	347	290	0839 0530 083	24
GN-A6/4	80 x 100	0839 0165 083	12	80	100	537	441	369	0839 0540 083	12
GN-A6/4	80 x 120	0839 0166 083	16	80	120	652	535	447	0839 0550 083	12
GN-A6/4	100 x 60	0839 0172 083	16	100	60	384	316	264	0839 0520 083	24
GN-A6/4	100 x 80	0839 0173 083	16	100	80	529	435	363	0839 0530 083	24
GN-A6/4	100 x 100	0839 0174 083	16	100	100	673	553	462	0839 0540 083	12



Cable trunking SES
with slots and base punching

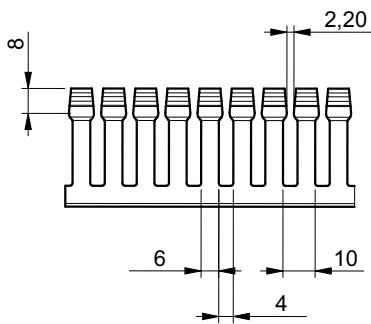


GN-A6/4

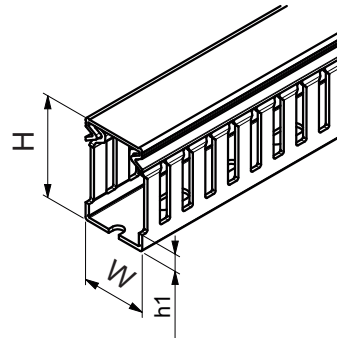
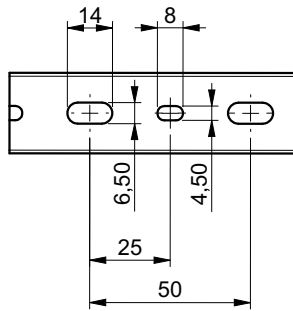


GN-A6/4 blue

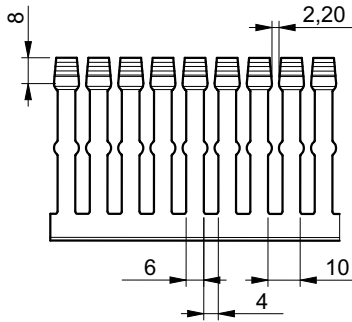
H = 30 mm
H = 40 mm



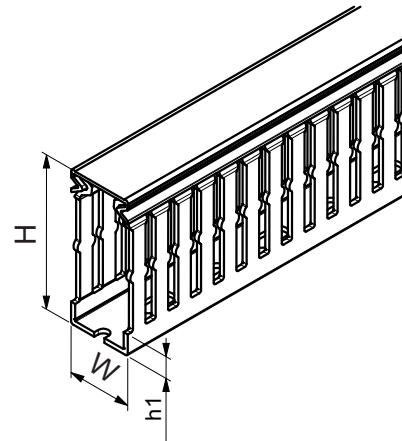
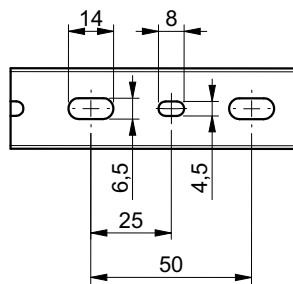
W 25, 30, 40



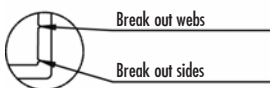
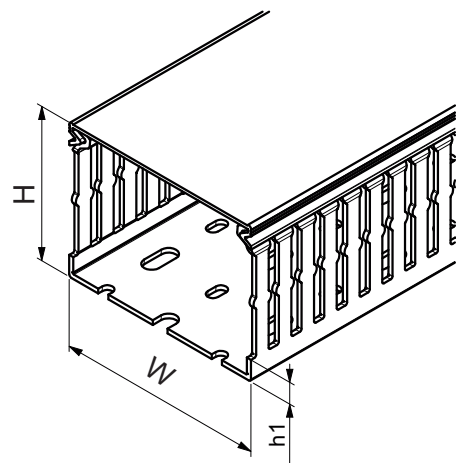
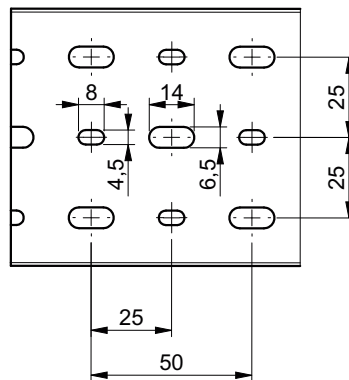
H = 60 mm
H = 80 mm
H = 100 mm



W 25, 30, 40, 60



W 80, 100



Base punching to NF EN 50085

H (mm)	30	40	60	80	100
h1 (mm)	5	7	9	11	16

