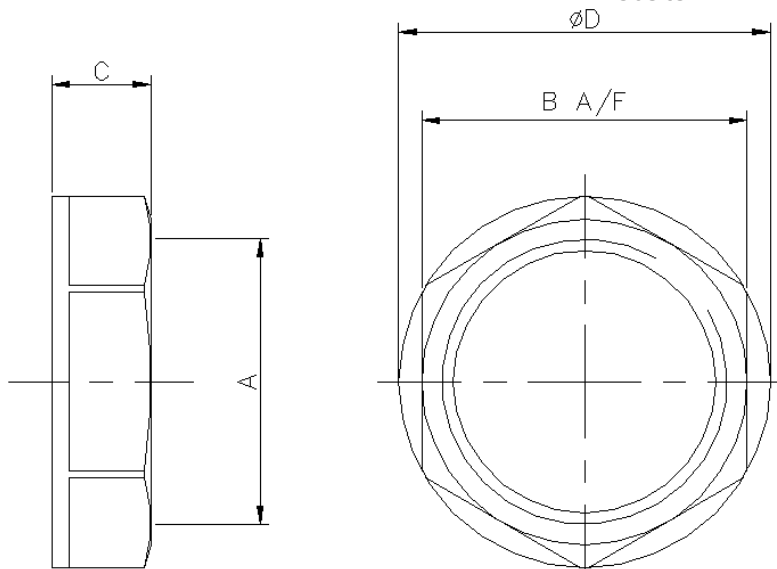


Technical Data Sheet:	DS212/0811
Product Description	Nylon Locknuts - (Metric)
Product Range	Accessories - Nylon locknut (metric)

FLEXICON

FLEXIBLE CONDUIT SOLUTIONS

Roman Way, Coleshill
 Birmingham
 B46 1HG, United Kingdom
 Tel: 00 44 (0)1675 466900
 Website: www.flexicon.uk.com



Material:
 30% glass reinforced Nylon PA6

Colour:
 Black or Grey

Fire Performance:
 Low Fire Hazard



IP Rating:

N/A

Applications:
 Used to secure a fitting when used with non threaded entries

Temperature Performance:

-50°C to +135°C

Thread Size	Part No.	Dimensions (mm)		
		B	D	C
M12 x 1.5	LM12-N#	18	20	5
M16 x 1.5	LM16-N#	22	24	5
M20 x 1.5	LM20-N#	26	29	6
M25 x 1.5	LM25-N#	32	35	6
M32 x 1.5	LM32-N#	41	46	7
M40 x 1.5	LM40-N#	50	55	7
M50 x 1.5	LM50-N#	60	66	8
M63 x 1.5	LM63-N#	75	83	8

Note: Add # for required colour, i.e. B for Black, G for Grey

Compliance, Approvals & Accreditation;



EN 61386 Classification Available on request

Typical Applications;



Errors, omissions and amendments excepted. As part of continuing product development Flexicon Ltd reserve the right to alter product specifications without prior notice. Data given is correct at time of compilation. Product specification and application data is for guidance only and does not constitute a warranty of any kind, either expressed or implied for Flexicon products or their suitability for a specific purpose. Third party approvals maybe limited to certain sizes within a product range.