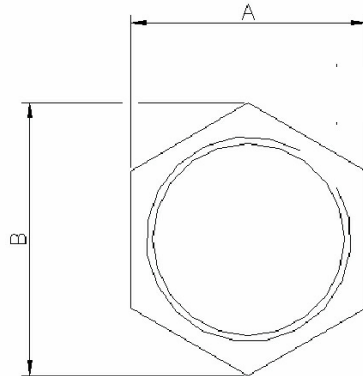


Technical Data Sheet:	DS227/0612
Product Description	Steel Locknuts - (Metric)
Product Range	Accessories - Steel Locknut

Roman Way, Coleshill
Birmingham
B46 1HG, United Kingdom
Tel: 00 44 (0)1675 466900
Website: www.flexicon.uk.com



Material:
Plated Steel

Colour:
Self colour

Fire Performance:
Low Fire Hazard



IP Rating:

N/A

Applications:
Used to secure a fitting when used with non threaded entries

Temperature Performance:

-100°C to +400°C

Thread Size	Part No.	Nominal Dimensions (mm)		
		A	B	Thickness
M16 x 1.5	S-M16	24	27	3
M20 x 1.5	S-M20	25	28	3
M25 x 1.5	S-M25	33	38	3
M32 x 1.5	S-M32	41	47	3
M40 x 1.5	S-M40	50	58	4
M50 x 1.5	S-M50	63	72	4
M63 x 1.5	S-M63	80	92	5

Compliance, Approvals & Accreditation;



IEC EN 61386

EN 61386 Classification Available on request

Typical Applications;



Construction



Rail



Machinery and OEM's



Defence

Errors, omissions and amendments excepted. As part of continuing product development Flexicon Ltd reserve the right to alter product specifications without prior notice. Data given is correct at time of compilation. Product specification and application data is for guidance only and does not constitute a warranty of any kind, either expressed or implied for Flexicon products or their suitability for a specific purpose. Third party approvals maybe limited to certain sizes within a product range.