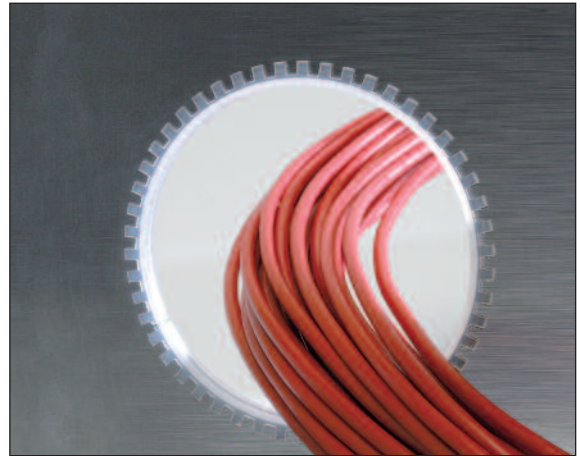


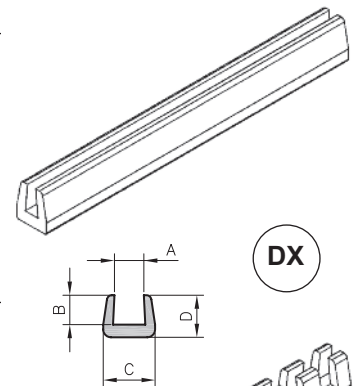
PLIOBORD for indoor

Materials:	polyethylene (PE)	polyethylene non flammable (PE AF)
Colours:	natural	white
Operating temperatures:	-50 to +85°C	-50 to +75°C
Tensile strength at break:	>12 MPa	>10 MPa
Ultimate elongation:	>550 %	>600 %
Dielectric strength:	60 kV/mm	60 kV/mm
Chemical resistance:	very good	very good
Flame resistance:	none	V2 UL94

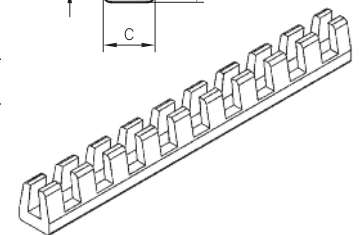
Application: protection of cables and conduits from sharp edges in sheet metal work or in panels. Has the advantage of being adaptable to sheet thicknesses from 1 to 4 mm.



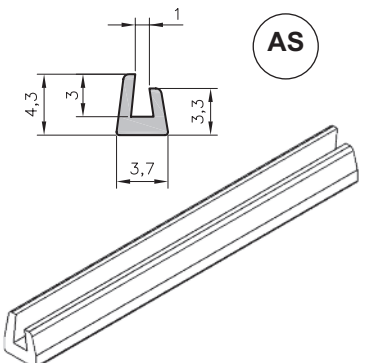
Polyethylene (PE)		Polyethylene non flammable (PE AF)		dimensions (mm)				m	
type	article number	type	article number	A	B	C	D		
Profile P plain									
DX 1 P	0826 0021 018	DX 1 PAF	0826 0031 001	1	2	3	3,2	35	
DX 1,2 P	0826 0051 018	-	-	1,2	3,2	3,5	4,5	30	
DX 1,5 P	0826 0022 018	DX 1,5 PAF	0826 0032 001	1,5	2	3,5	3,2	30	
DX 2 P	0826 0023 018	DX 2 PAF	0826 0033 001	2	3	4,3	4,3	25	
DX 3 P	0826 0024 018	DX 3 PAF	0826 0034 001	3	3	5,3	4,3	20	
DX 4 P	0826 0025 018	DX 4 PAF	0826 0035 001	4	3,5	6,9	5,3	15	



Profile C crenellated									
DX 1 C	0826 0001 018	DX 1 CAF	0826 0011 001	1	2	3	3,2	35	
DX 1,5 C	0826 0002 018	DX 1,5 CAF	0826 0012 001	1,5	2	3,5	3,2	30	
DX 2 C	0826 0003 018	DX 2 CAF	0826 0013 001	2	3	4,3	4,3	25	
DX 3 C	0826 0004 018	DX 3 CAF	0826 0014 001	3	3	5,3	4,3	20	
DX 4 C	0826 0005 018	DX 4 CAF	0826 0015 001	4	3,5	6,9	5,3	15	



Polyethylene (PE)		m
type	article number	
AS 1,5	0826 0041 018	30



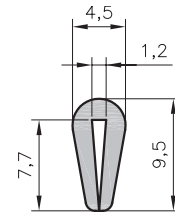


PLIOBORD for outdoor

Material: flexible PVC
Colour: black
Operating temperatures: -20 to +90°C
Hardness Shore A: 90 +/- 5
Tensile strenght at break: 20 MPa
Ultimate elongation: 300 %
Dielectric strenght: 20 kV/mm
Flame resistance: V2 UL94
Application: used for the protection of outside sides until 1,2 mm thickness.



type	artide number	
EX 1,2	0826 0060 010	25



EX