

# NH fuse-links aM 690VAC

top indicator/live tags size 4, 4a

## LOW VOLTAGE IEC FUSES

### IEC NH FUSE-LINKS



The NH system is classified among plug-in fuse systems and is composed of:

- fuse-base (possibly including terminal covers and phase barriers)
- fuse-link with blade contact
- fuse-link replacement device (LV HRC fuse puller)

Since the design of this system cannot guarantee non-interchangeability of rated current it must be handled by a qualified professional.

Type “aM” NH fuse-links are partial-range breaking capacity fuse-links, used to protect motor circuits as they are strongly current-limiting and have low power losses. They interrupt currents from 6.3 times  $I_n$  up to their maximum breaking capacity and are therefore suited for short-circuit protection only. They must be associated with other switchgear for protection against overloads. These fuse-links can have a rated current equal to the motor’s nominal current.

## TECHNICAL DATA OVERVIEW

|                      |                       |
|----------------------|-----------------------|
| Voltage AC           | 690 VAC               |
| Ampere Range (A)     | 400 ... 1000 A        |
| Size per Standard    | 4, 4a                 |
| Speed/Characteristic | aM                    |
| I.R. AC              | 120 kA                |
| Body Material        | ceramic               |
| Contact Materials    | copper, silver-plated |

## FEATURES & BENEFITS

- Dimensions according to DIN 43 620 parts 1 to 4
- Non-isolated gripping lugs
- Double indicator
- Lead free contact blades
- 0% cadmium

## APPLICATIONS

- aM: Partial purpose, motor circuit protection

## STANDARDS

- VDE 0636 Part 201
- IEC 60269-1 and -2



# NH fuse-links aM 690VAC

top indicator/live tags size 4, 4a

## PRODUCT RANGE



NH4AM69V400-8

### Size 4

| Catalog number | Reference number | Rated voltage AC (IEC) | Rated current I <sub>n</sub> | Power dissipation at I <sub>n</sub> | Weight  | Package |
|----------------|------------------|------------------------|------------------------------|-------------------------------------|---------|---------|
| NH4AM69V400-8  | Q227990          | 690 V                  | 400 A                        | 26 W                                | 2.2 kg  | 1       |
| NH4AM69V500-8  | R227991          | 690 V                  | 500 A                        | 38 W                                | 2 kg    | 1       |
| NH4AM69V630-8  | S227992          | 690 V                  | 630 A                        | 50 W                                | 2.2 kg  | 1       |
| NH4AM69V800-8  | T227993          | 690 V                  | 800 A                        | 65 W                                | 1.75 kg | 1       |
| NH4AM69V1000-8 | V227994          | 690 V                  | 1000 A                       | 80 W                                | 2.2 kg  | 1       |



NH4AAM69V500-8

### Size 4a

| Catalog number  | Reference number | Rated voltage AC (IEC) | Rated current I <sub>n</sub> | Power dissipation at I <sub>n</sub> | Weight | Package |
|-----------------|------------------|------------------------|------------------------------|-------------------------------------|--------|---------|
| NH4AAM69V500-8  | X227996          | 690 V                  | 500 A                        | 38 W                                | 2.2 kg | 1       |
| NH4AAM69V630-8  | Y227997          | 690 V                  | 630 A                        | 50 W                                | 2.2 kg | 1       |
| NH4AAM69V800-8  | A227999          | 690 V                  | 800 A                        | 65 W                                | 2.2 kg | 1       |
| NH4AAM69V1000-8 | B228000          | 690 V                  | 1000 A                       | 80 W                                | 2.2 kg | 1       |

## TECHNICAL DATA

|                            | Size 4         | Size 4a        |
|----------------------------|----------------|----------------|
| Rated current              | 400 ... 1000 A | 500 ... 1000 A |
| Rated breaking capacity AC | 120 kA         | 120 kA         |
| Rated voltage AC           | 690 V          | 690 V          |
| Indication System          | top indicator  | top indicator  |
| Width                      | 100 mm         | 100 mm         |

MERSEN reserves the right to change, update or correct, without notice, any information contained in this datasheet.

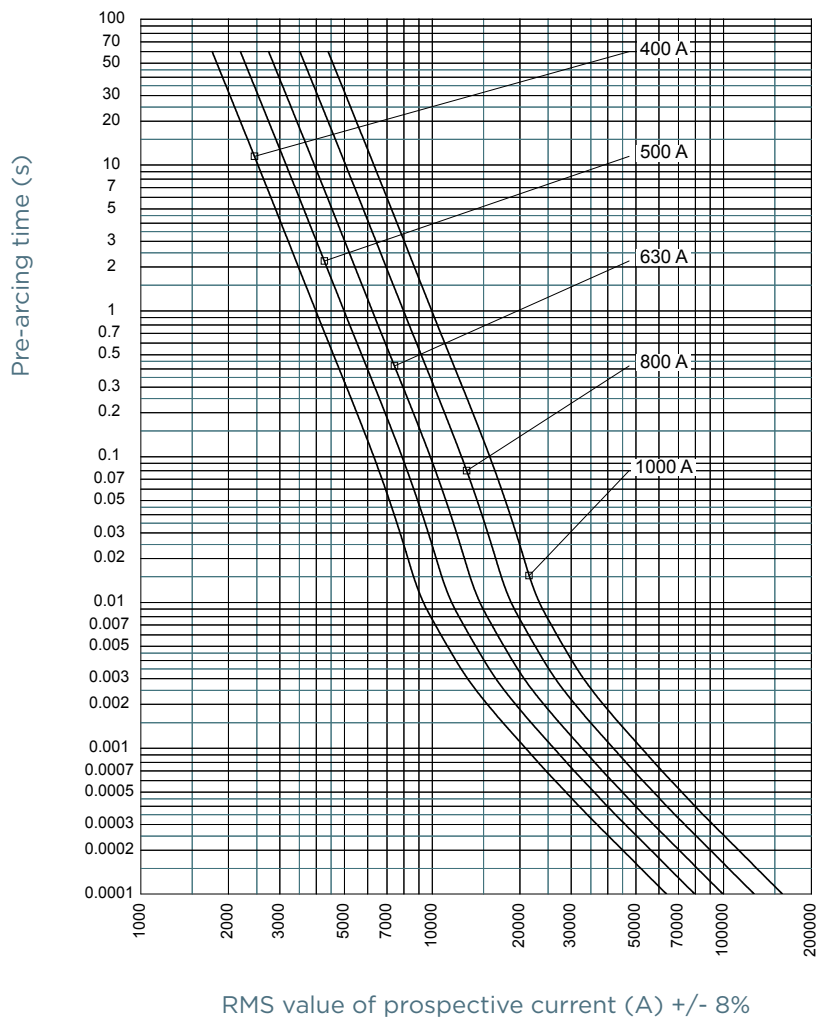
# NH fuse-links aM 690VAC

top indicator/live tags size 4, 4a

## TIME CURRENT CHARACTERISTIC CURVES

Size 4, 400-1000A

Size 4a, 500-1000A



MERSEN reserves the right to change, update or correct, without notice, any information contained in this datasheet.

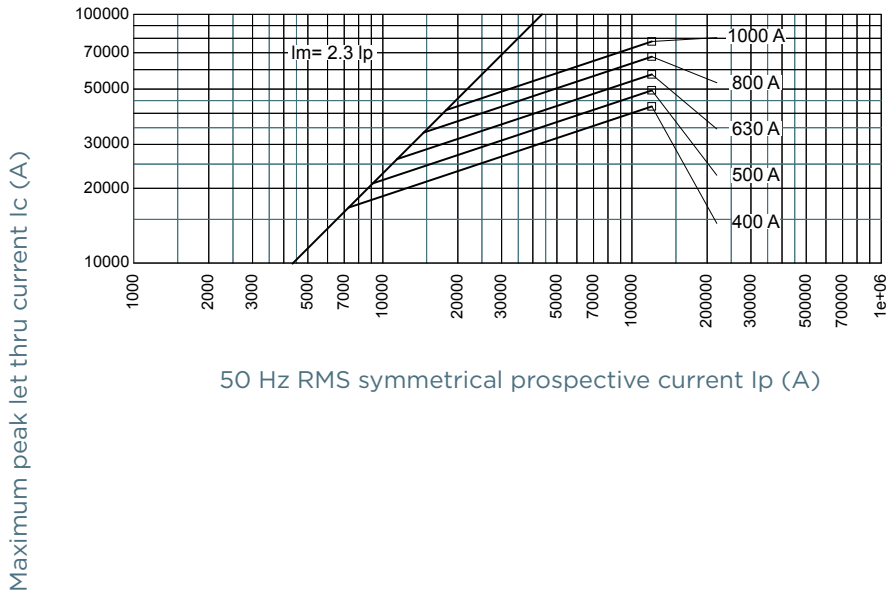
# NH fuse-links aM 690VAC

top indicator/live tags size 4, 4a

## CUT-OFF CURRENT CHARACTERISTIC

Size 4, 400-1000A

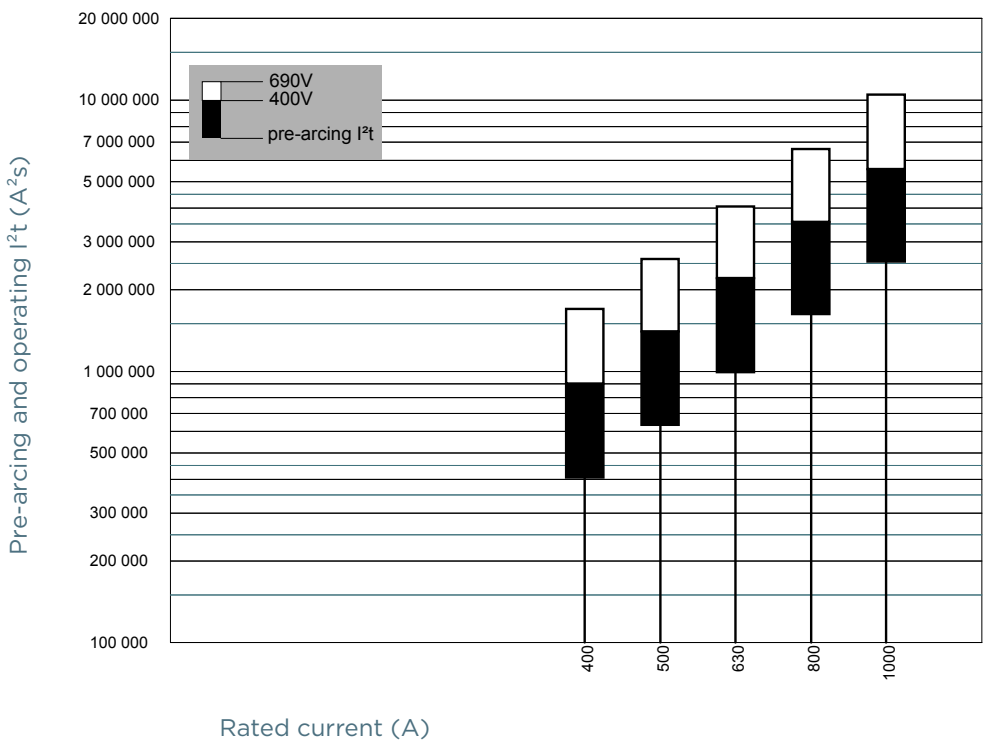
Size 4a, 500-1000A



## PRE-ARCING AND OPERATING $I^2t$ CHARACTERISTICS

Size 4, 400 - 1000A

Size 4a, 500 - 1000A



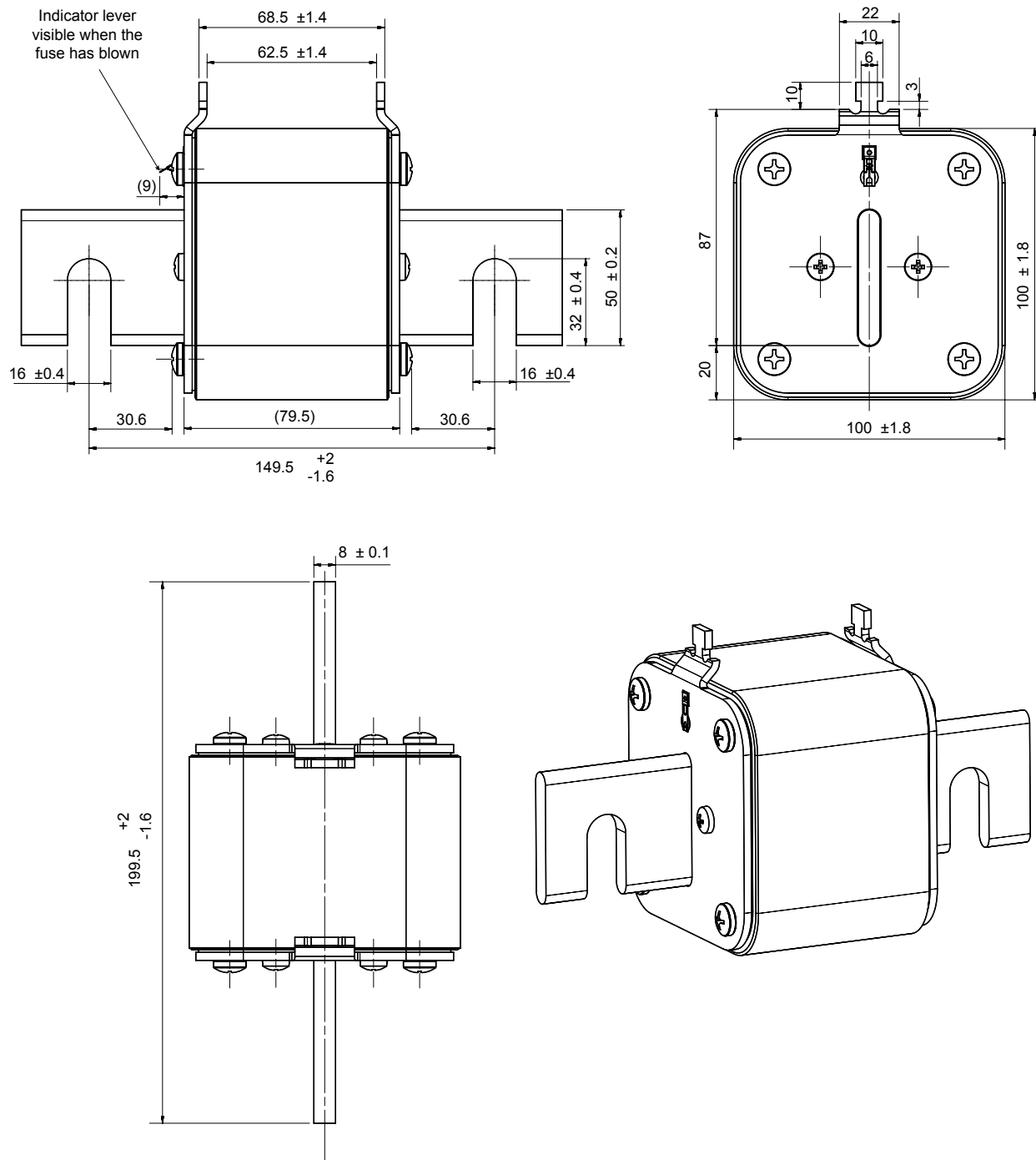
MERSEN reserves the right to change, update or correct, without notice, any information contained in this datasheet.

# NH fuse-links aM 690VAC

top indicator/live tags size 4, 4a

## DIMENSIONS

### Size 4 with top indicator



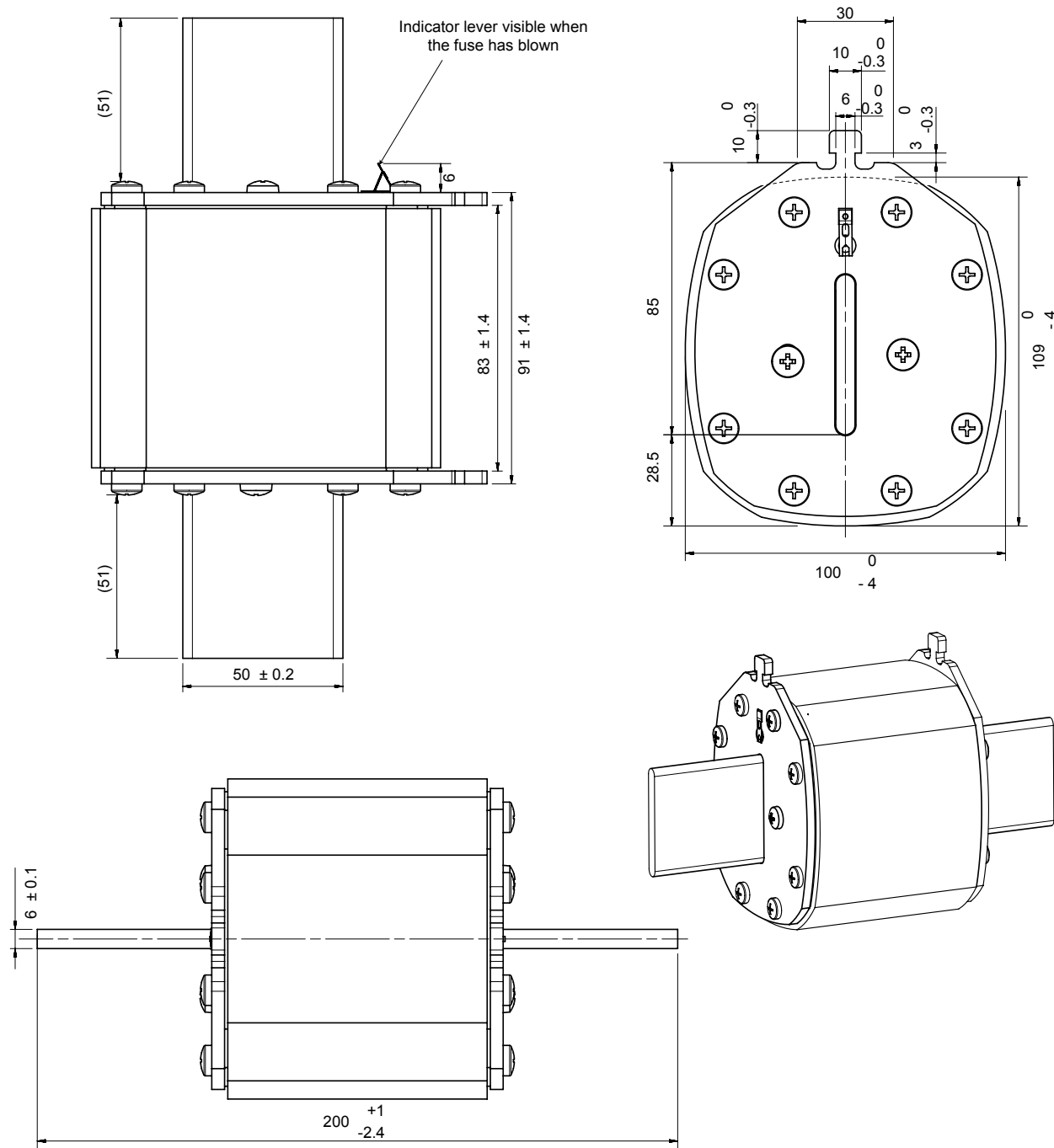
Dimensions in mm

# NH fuse-links aM 690VAC

top indicator/live tags size 4, 4a

## DIMENSIONS

### Size 4a with top indicator



Dimensions in mm