



Main

Range of product	Magelis STO & STU
Product or component type	Touch panel screen
Software designation	Vijeo Designer
Operating system	Magelis
Processor name	CPU ARM9

Complementary

Display size	3.5 inch
Display type	QVGA TFT colour touchscreen
Display colour	65536 colours
Pixel resolution	320 x 240 pixels
Touch panel	Analogue
Backlight lifespan	50000 hours
Brightness	16 levels
Character font	Japanese (ANK, Kanji) Chinese (simplified Chinese) Korean Taiwanese (traditional Chinese) ASCII
[Us] rated supply voltage	24 V DC
Supply	External source
Supply voltage limits	20.4...28.8 V
Inrush current	<= 30 A
Power consumption	6.5 W
Number of pages	Limited by internal memory capacity
Processor frequency	333 MHz
Memory description	Back up of data, 64 kB Application memory, 16 MB
Integrated connection type	1 USB (V2.0) port mini B USB Power supply removable screw terminal block 1 USB (V2.0) port USB type A

Disclaimer: This documentation is not intended as a substitute for and is not to be used for determining suitability or reliability of these products for specific user applications


COM1 serial link female RJ45, transmission rate <= 115.2 kbits/s (RS232C/RS485)

Realtime clock	Access to the PLC real-time clock
Downloadable protocols	Modbus Third party protocols Uni-TE Modbus TCP/IP
Fixing mode	Ø 22 mm hole
Enclosure material	PC/PBT
Marking	CE
Height	98.15 mm
Width	118 mm
Depth	55.3 mm

Environment

Immunity to microbreaks	<= 10 ms
Standards	UL 1604 FCC Class A EN 61131-2 UL 508 IEC 61000-6-2
Product certifications	UL class 1 Div2 T4A ou T5 cULus Marine C-Tick
Ambient air temperature for operation	0...50 °C
Ambient air temperature for storage	-20...60 °C
Relative humidity	0...85 % Without condensation
Operating altitude	<= 2000 m
IP degree of protection	IP20 (rear panel) conforming to IEC 60529 IP65 (front panel) conforming to IEC 60529
NEMA degree of protection	NEMA 4X front panel (indoor use)
Shock resistance	15 gn for 11 ms conforming to IEC 60068-2-27
Vibration resistance	+/- 3.5 mm (f = 5...9 Hz) conforming to IEC 60068-2-6 1 gn (f = 9...150 Hz) conforming to IEC 60068-2-6
Resistance to electromagnetic fields	10 V/m conforming to IEC 61000-4-3

Offer Sustainability

Sustainable offer status	Not Green Premium product
RoHS (date code: YYWW)	Compliant - since 1001 - Schneider Electric declaration of conformity  Schneider Electric declaration of conformity
REACH	Reference not containing SVHC above the threshold Reference not containing SVHC above the threshold

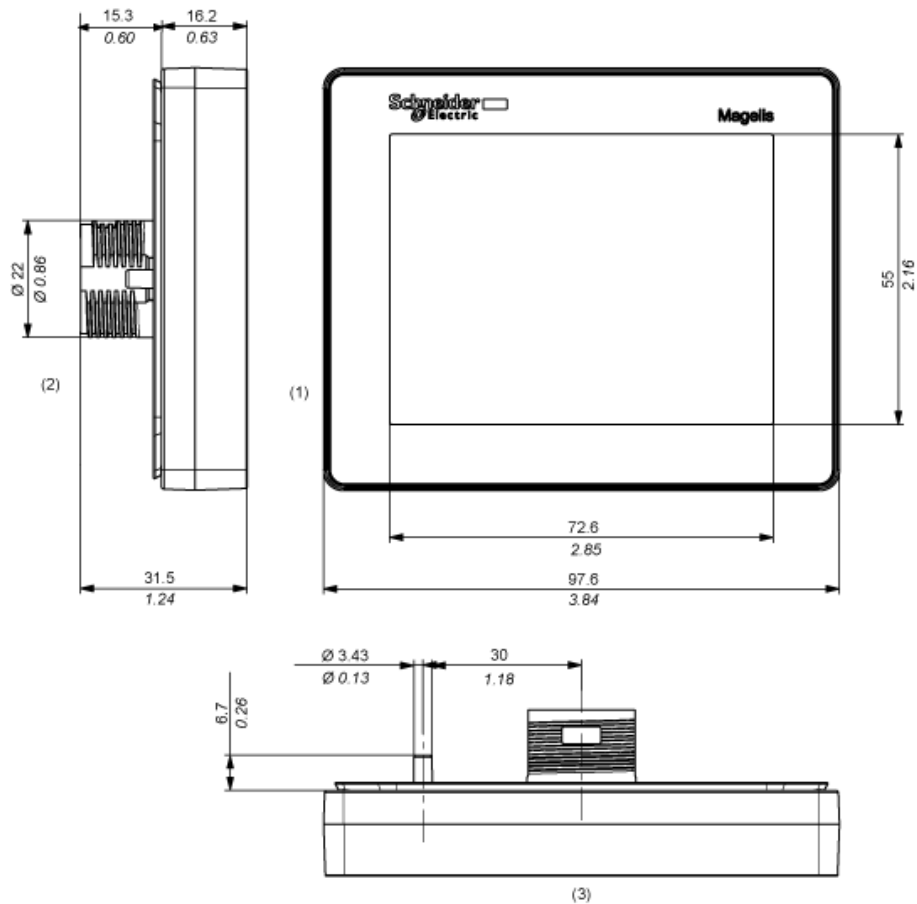
Contractual warranty

Warranty period	18 months
-----------------	-----------

Display Module

Dimensions

mm
in.

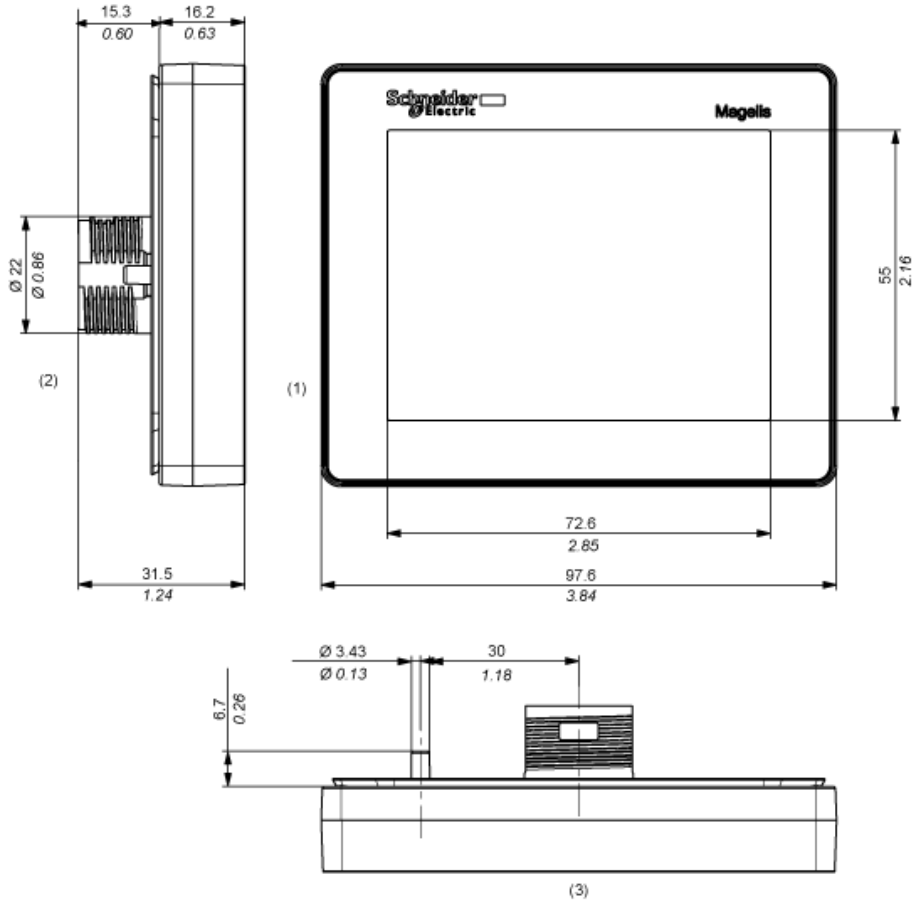


- (1) Front
- (2) Right Side
- (2) Top

Display Module

Dimensions

mm
in.

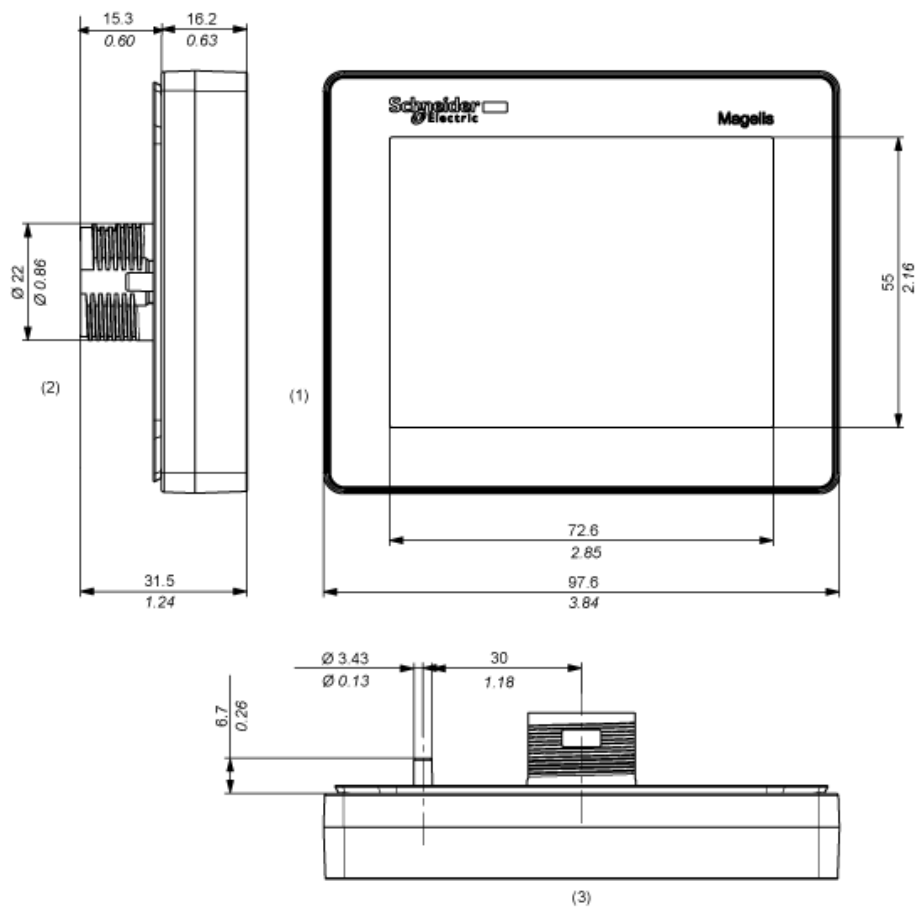


- (1) Front
- (2) Right Side
- (2) Top

Display Module

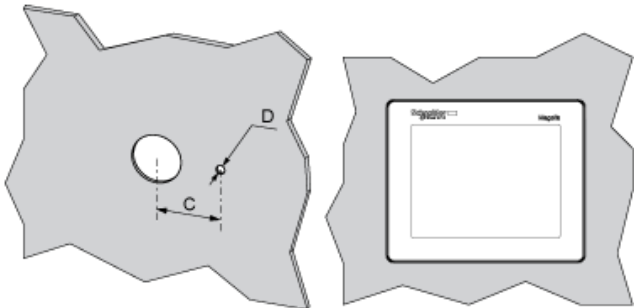
Dimensions

mm
in.



- (1) Front
- (2) Right Side
- (2) Top

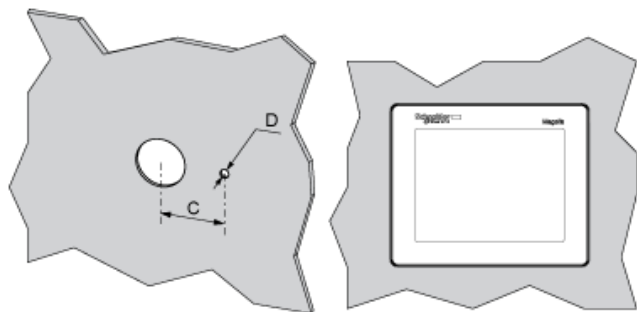
Panel Cut-out Dimensions



C (mm)	C (in.)	D (mm)	D (in.)
+0	+0	+0	+0
30.00	1.18	4.00	0.15
-0.20	-0.007	-0.20	-0.007

NOTE: With the tee option, the rotating torque that can be supported by the display module is 6 Nm (53.10 in-lb).

Panel Cut-out Dimensions



C (mm)	C (in.)	D (mm)	D (in.)
+0	+0	+0	+0
30.00	1.18	4.00	0.15
-0.20	-0.007	-0.20	-0.007

NOTE: With the tee option, the rotating torque that can be supported by the display module is 6 Nm (53.10 in-lb).