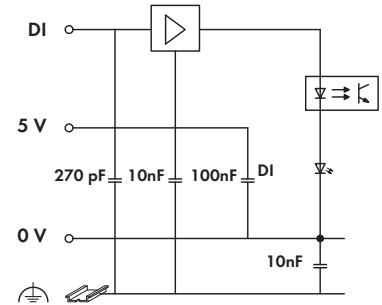
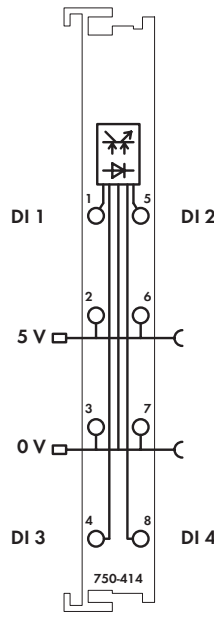
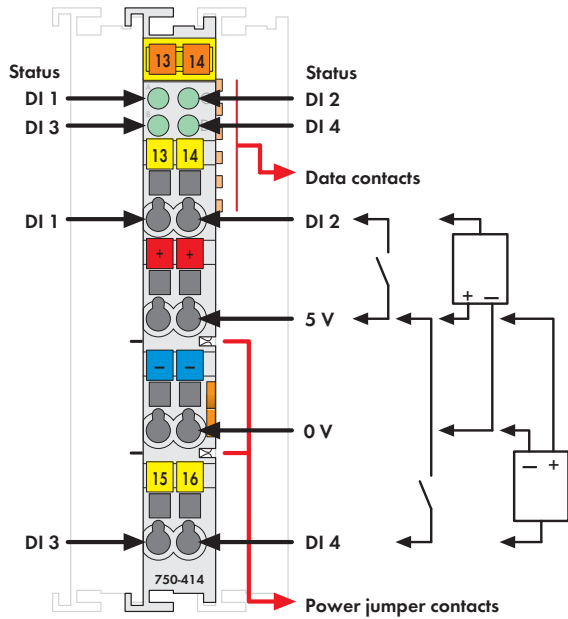


4-Channel Digital Input Module 5 V DC

2- to 3-conductor connection; high-side switching



Delivered without miniature WSB markers

The digital input module receives control signal from the digital field devices (sensors, etc.).

Each input module has a noise-rejection filter.

Field and system levels are electrically isolated.

Notice:

An additional supply module must be added for operation with 5VDC!

Description	Item No.	Pack. Unit
4DI 5V DC 0.2ms	750-414	1
Accessories		
Miniature WSB Quick marking system		
plain	248-501	5
with marking	see Section 11	
Approvals		
Conformity marking	CE	
Korea Certification	K	
UL 508		
ANSI/ISA 12.12.01	Class I, Div. 2, Grp. ABCD, T4	

Technical Data	
Number of inputs	4
Current consumption (internal)	5 mA
Voltage via power jumper contacts	5 V DC
Signal voltage (0)	0 V ... +0.8 V DC
Signal voltage (1)	2.4 V ... 5 V DC
Input filter	0.2 ms
Input current (typ.)	50 µA
Isolation	500 V system/supply
Internal bit width	4 bits
Wire connection	CAGE CLAMP®
Cross sections	0.08 mm ² ... 2.5 mm ² / AWG 28 ... 14
Strip lengths	8 ... 9 mm / 0.33 in
Width	12 mm
Weight	49.5 g
EMC immunity of interference	acc. to EN 61000-6-2
EMC emission of interference	acc. to EN 61000-6-4