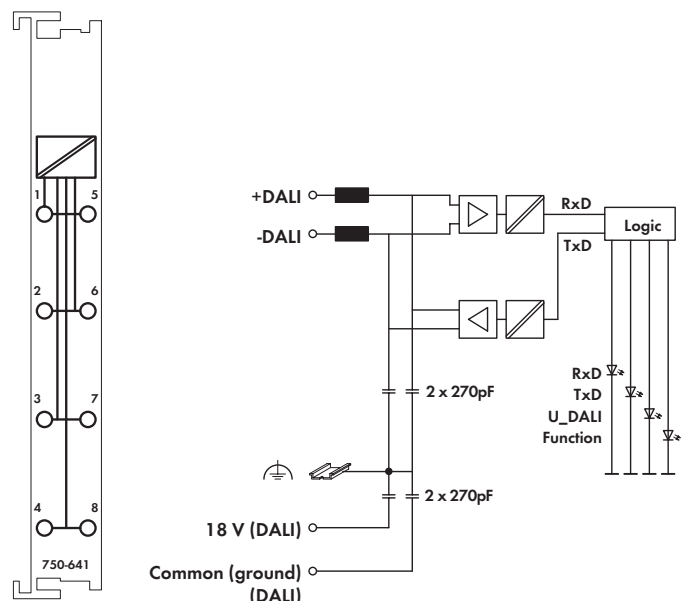
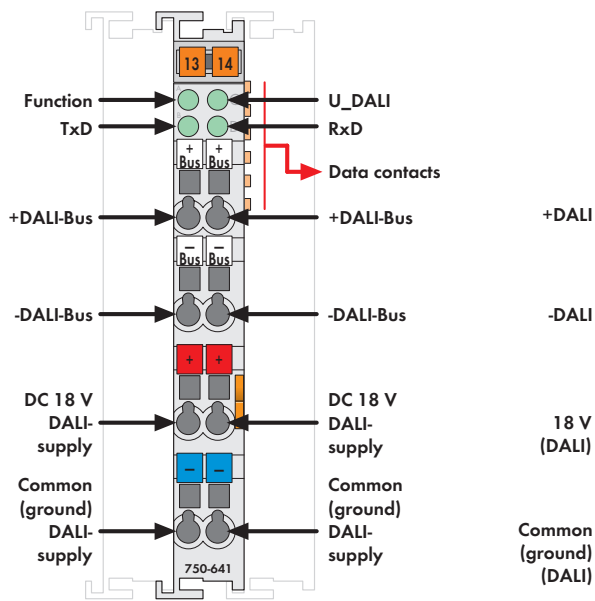


DALI/DSI Master Module



Delivered without miniature WSB markers

The DALI standard (IEC 60929), a protocol across all manufacturers, ensures the interoperability of electronic ballasts in lighting applications. This new standard is substitute for the 1 - 10V dimmer interface. The DALI/DSI Master for the WAGO-I/O SYSTEM 750 is a 12mm wide I/O module that fits all controllers of the 750 series. A DALI Master can control up to 64 slaves. Each slave can be assigned to 16 individual groups and 16 individual settings. Any combinations of DALI controls with other groups are possible with the WAGO-I/O-SYSTEM 750. Several DALI Masters can be connected to a single fieldbus node. The maximum number of modules within a controller depends on the memory requirements of the application. The WAGO-I/O-PRO 32 software is used to program the fieldbus nodes. WAGO supports simple application programming with pre-programmed function blocks for DALI.

The DC/DC converter 288-895 is required to supply the DALI Master. The DC/DC converter delivers up to 400mA and can supply 3 DALI lines each with up to 130mA (see also "DALI/DSI Master Module" manual in section 1.1.1.7.3 "DALI Bus Line"). * Documentation available in German and English. DSI is a proprietary interface which was developed by the TRIDONIC ATCO company. As with DALI, electronic ballasts can be digitally controlled by the DSI. However, compared to DALI, the slaves of the DSI module cannot be addressed individually and no feedback signals can be sent to the master. The maximum number of slaves controlled by the module is limited to 100 participants per line (100 participants * 2 mA = 200 mA). Just as for DALI, the DC/DC converter 288-895 is required to supply the DSI.

Description	Item No.	Pack. Unit
DALI/DSI Master Module	750-641	1
Accessories		
Miniature WSB Quick marking system		
plain	248-501	5
with marking	see pages 352 ... 353	
Approvals		
Also see "Approvals Overview" in Section 1		
Conformity marking	CE	
Shipbuilding	ABS, DNV, GL, KR	
UL 508		
ANSI/ISA 12.12.01	Class I, Div. 2, Grp. ABCD, T4	
EN 60079-0, -15	I M2 / II 3 GD Ex nA IIC T4	
EN 61241-0, -1		

Technical Data	
DALI specification	DIN IEC 60929 (VDE 0712 Part 23)
	Only in conjunction with 288-895 DC/DC Converter
DSI specification	TRIDONIC ATCO SPECIFICATION 2.0
Number of slaves (DALI)	64
Number of slaves (DSI)	100
Max. current output (DALI/DSI)	200 mA
Voltage supply (DALI/DSI)	18 V via 288-895 DC/DC Converter
Transmission channel	1
Current consumption (internal)	30 mA
Power supply	via internal system supply
Isolation	1500 V DC DALI-bus/K-bus
Internal bit width	1 byte control/status, 5 byte data
Wire connection	CAGE CLAMP®
Cross sections	0.08 mm² ... 2.5 mm² / AWG 28 ... 14
Stripped lengths	8 ... 9 mm / 0.33 in
Width	12 mm
Weight	52.2 g
EMC: CE - immunity to interference	acc. to EN 61000-6-2 (2005) *
EMC: CE - emission of interference	acc. to EN 61000-6-3 (2007) *
	* Only in conjunction with 288-895 DC/DC Converter
EMC: marine applications	
- immunity to interference	acc. to Germanischer Lloyd (2003)
EMC: marine applications	
- emission of interference	acc. to Germanischer Lloyd (2003)