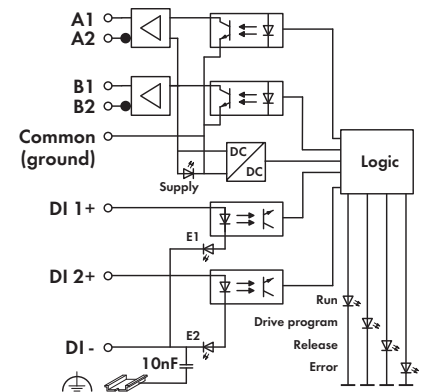
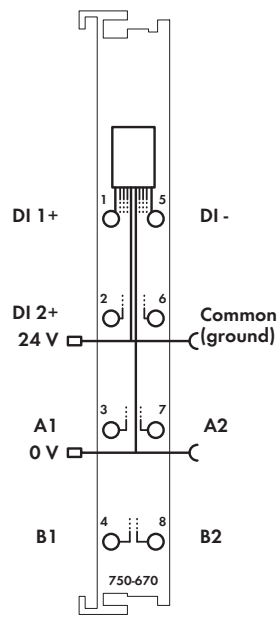


Delivered without miniature WSB markers



The 750-670 module is an intelligent stepper controller used to control different drive power sections with pulse/direction interface or incremental encoder input.

RS-422 and 24V or 20mA interfaces can be used.

Due to the high output frequency, stepper output stages with smooth microstepping resolution can be used.

In addition, this module can also be used as a high-precision frequency or pulse width modulator.



Two configurable inputs for Start/Stop, limit switches, reference cams, Jog/Tip, etc., are evaluated directly and without any further delay by the internal

software.

Versatile functions, such as positioning with different acceleration slopes, command tables, camshaft controller, auto referencing and other event-dependent properties provide this controller with a wide spectrum of possible uses. The programmer's interface is the same for all WAGO stepper controller modules.

Additional operating modes:

- Pulse width modulation
- Frequency Generator
- Single-shot mode

Description	Item No.	Pack. Unit
Stepper controller RS-422 / 24 V / 20 mA	750-670	1
Accessories		
Miniature WSB Quick marking system		
 plain	248-501	5
 with marking	see Section 11	
Approvals		
Conformity marking	CE	
UL 508		
ANSI/ISA 12.12.01	Class I, Div. 2, Grp. ABCD, T4	
TÜV 07 ATEX 554086 X	I M2 Ex d I Mb, II 3 G Ex nA IIC T4 Gc, II 3 D Ex tc IIIC T135°C Dc	
IECEX TUN 09.0001 X	Ex d I Mb, Ex nA IIC T4 Gc, Ex tc IIIC T135°C Dc	

Technical Data	
Outputs	
No. of outputs	1 channel (2 differential outputs A1, A2, B1, B2)
Signal voltage	5 V DC internal, 5 V ... 24 V DC external
Type of load	RS 422, TTL, optocoupler
Output current (max.)	30 mA short-circuit protected
Output frequency	200 µHz ... 500 kHz
Pulse duty factor	50 % (in stepper motor mode)
Inputs	
Number of inputs	2 (DI 1, DI 2)
Signal voltage (0)	-3 V ... +5 V DC
Signal voltage (1)	1.5 V ... 30 V DC
Input filter	100 µs, software filter can be installed
Input current (typ.)	2.8 mA
Module	
Operation modes	Individual positioning, reference run, jog, tip, instruction tables, PWM
Functions	Positioning (absolute/relative), flying setpoint change, rotary axis, etc.
Resolution	
Distance	23 bits + sign bit
Speed	15 bits + 16 bit prescaler
Acceleration	15 bits + 16 bit prescaler
Voltage via power jumper contacts	24 V DC (-25 % ... +30 %)
Current consumption typ. (KBUS)	98 mA
Isolation	500 V system/supply
Internal bit width	12 byte inputs/outputs
Wire connection	CAGE CLAMP®
Cross sections	0.08 mm ² ... 2.5 mm ² / AWG 28 ... 14
Strip lengths	8 ... 9 mm / 0.33 in
Width	12 mm
Weight	49.6 g
EMC immunity of interference	acc. to EN 61000-6-2
EMC emission of interference	acc. to EN 61000-6-3